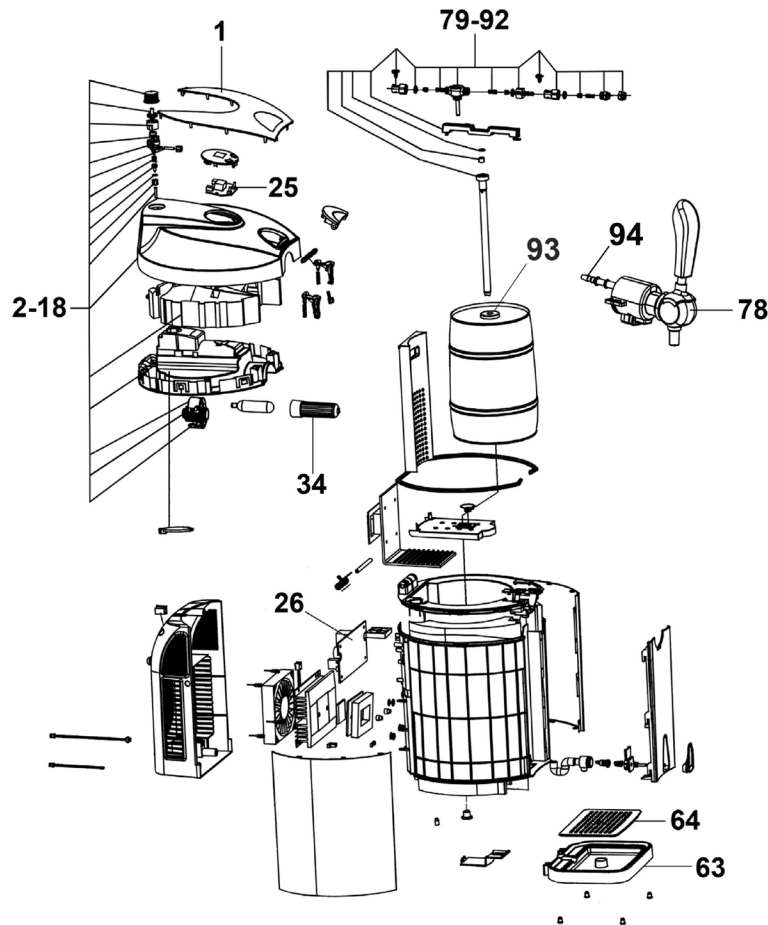


Parts Information: Baridi 5L Beer Draught Dispenser Tap Machine with Integrated Cooling for 5L Kegs Model No: DH49



Item	Part No.	Description
1	DH10070	Top Cover
02 - 18	DH10071	Co2 Pressure Reducing Valve Assembly
25	DH10072	Control Panel
26	DH10073	Power Board
34	DH10270	Co2 Canister Holder
63	DH10074	Drip Collection Tray
64	DH10075	Drip Collection Grille
78	DH10076	Beer Tap Assembly

Item	Part No.	Description
79 - 92	DH10077	Beer Tube Assembly
93	DH10229	Open Keg Adaptor
94	DH10842	Beer Tap Tube Fitting
--	DH10127	Plastic Water Bulb (Not Shown)
--	DH10128	O-Ring for Co2 Canister (Not Shown)
--	DH10135	Piercing Tool (Not Shown)
--	DH10227	Accessory Kit (Not Shown)
--	DH10228	Heineken Keg Adaptor (Not Shown)

NOTE: It is our policy to continually improve products and as such we reserve the right to alter data, specifications and component parts without prior notice. There may be alternative versions of this product, please contact us should you require this information.

IMPORTANT: No liability is accepted for incorrect use of product. Spare parts must be fitted by a competent person

WARRANTY: Guarantee is 12 months from purchase date, proof of which will be required for any claim.

Dellonda Limited, Sole UK Distributor of Baridi

Kempson Way, Suffolk Business Park, Bury St Edmunds, Suffolk. IP32 7AR

☎ 01284 757575 ✉ support@dellonda.co.uk 🌐 www.dellonda.co.uk