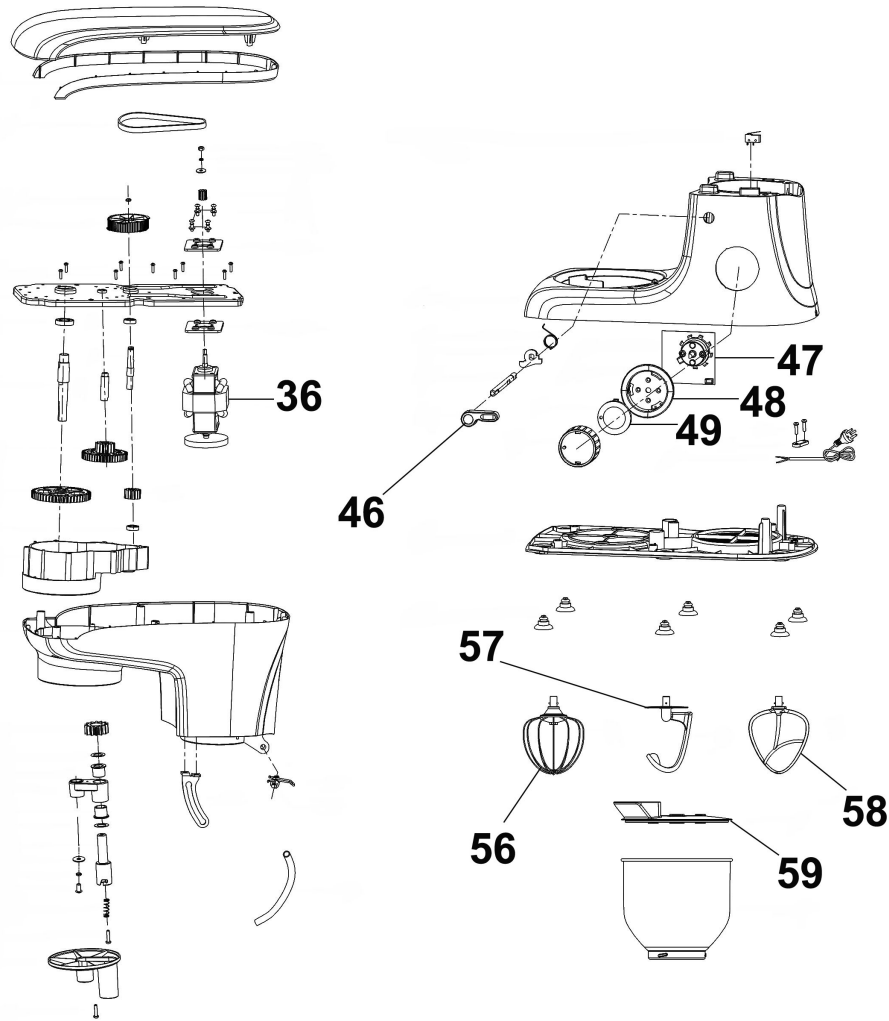


Parts Information:
**Baridi 1800W Stand Mixer with
 Accessories 8L - Black
 Model No: DH174**



Item	Part No.	Description
36	DH10810	Motor
46	DH10808	Shaft Knob
47	DH10811	PCB Board
48	DH10809	Panel Glass
49	DH10807	Rotary Knob

Item	Part No.	Description
56	DH10805	Egg Whisk
57	DH10803	Dough Hook
58	DH10804	Mixing Blade
59	DH10806	Bowl Cover

NOTE: It is our policy to continually improve products and as such we reserve the right to alter data, specifications and component parts without prior notice. There may be alternative versions of this product, please contact us should you require this information.

IMPORTANT: No liability is accepted for incorrect use of product. Spare parts must be fitted by a competent person

WARRANTY: Guarantee is 12 months from purchase date, proof of which will be required for any claim.

Dellonda Limited, Sole UK Distributor of Baridi

Kempson Way, Suffolk Business Park, Bury St Edmunds, Suffolk. IP32 7AR

☎ 01284 757575 ✉ support@dellonda.co.uk 🌐 www.dellonda.co.uk