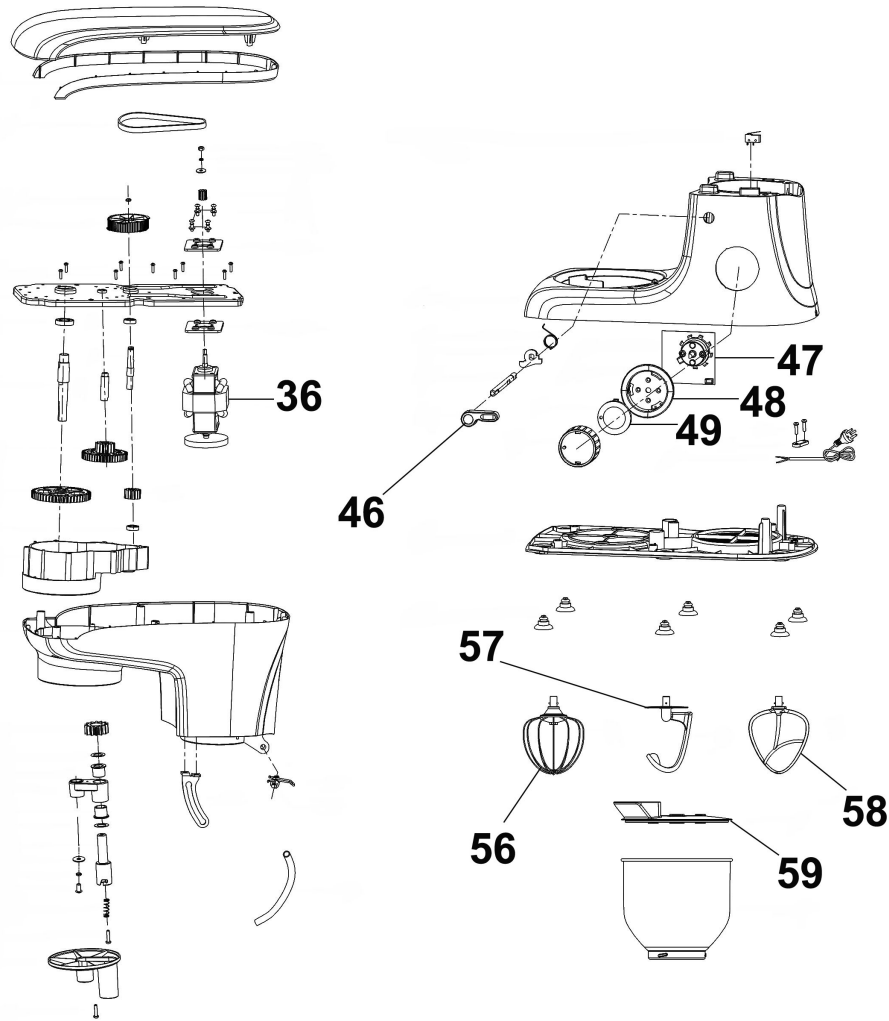


Parts Information:  
**Baridi 1800W Stand Mixer with  
 Accessories 8L - Black  
 Model No: DH174**



Item	Part No.	Description
36	DH10803	Motor
46	DH10804	Shaft Knob
47	DH10807	PCB Board
48	DH10806	Panel Glass
49	DH10805	Rotary Knob

Item	Part No.	Description
56	DH10810	Egg Whisk
57	DH10808	Dough Hook
58	DH10809	Mixing Blade
59	DH10811	Bowl Cover

**NOTE:** It is our policy to continually improve products and as such we reserve the right to alter data, specifications and component parts without prior notice. There may be alternative versions of this product, please contact us should you require this information.

**IMPORTANT:** No liability is accepted for incorrect use of product. Spare parts must be fitted by a competent person

**WARRANTY:** Guarantee is 12 months from purchase date, proof of which will be required for any claim.

**Dellonda Limited, Sole UK Distributor of Baridi**

Kempson Way, Suffolk Business Park, Bury St Edmunds, Suffolk. IP32 7AR

☎ 01284 757575    ✉ support@dellonda.co.uk    🌐 www.dellonda.co.uk