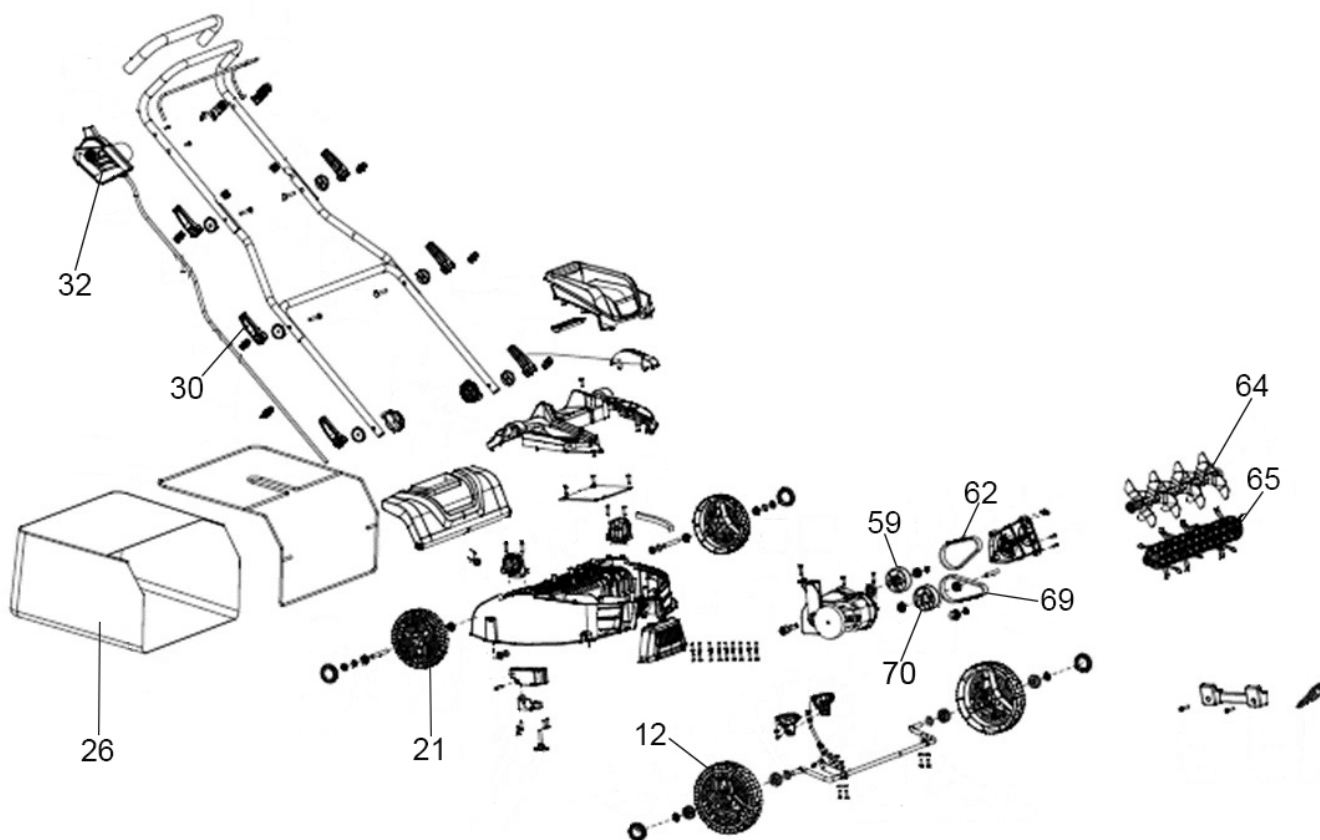




Parts Information: **Dellonda 1500W Electric 2-in-1 Scarifier with 5-Heights, 36cm Cutting Diameter, 45L Grass Collection Bag, 10m Mains Cable, Hand Push Model No: DG216**



Item	Part No.	Description
12	DG10901	Black 200 Wheel
21	DG10902	Black 165 Wheel
26	DG10903	Grass Bag
30	DG10904	Quick Clip Handle - Green
32	DG10905	Pin Switch Box
59	DG10906	Large Pulley

Item	Part No.	Description
62	DG10907	Multi-strap
64	DG10908	360mm Hob Assembly
65	DG10909	360mm Rake Wheel Assembly
69	DG10910	Multi-strap
70	DG10911	Double Pulley

**NOTE:** It is our policy to continually improve products and as such we reserve the right to alter data, specifications and component parts without prior notice. There may be alternative versions of this product, please contact us should you require this information.

**IMPORTANT:** No liability is accepted for incorrect use of product. Spare parts must be fitted by a competent person

**WARRANTY:** Guarantee is 12 months from purchase date, proof of which will be required for any claim.

**Dellonda**, Kempson Way, Suffolk Business Park, Bury St Edmunds, Suffolk. IP32 7AR



01284 757575



support@dellonda.co.uk



www.dellonda.co.uk