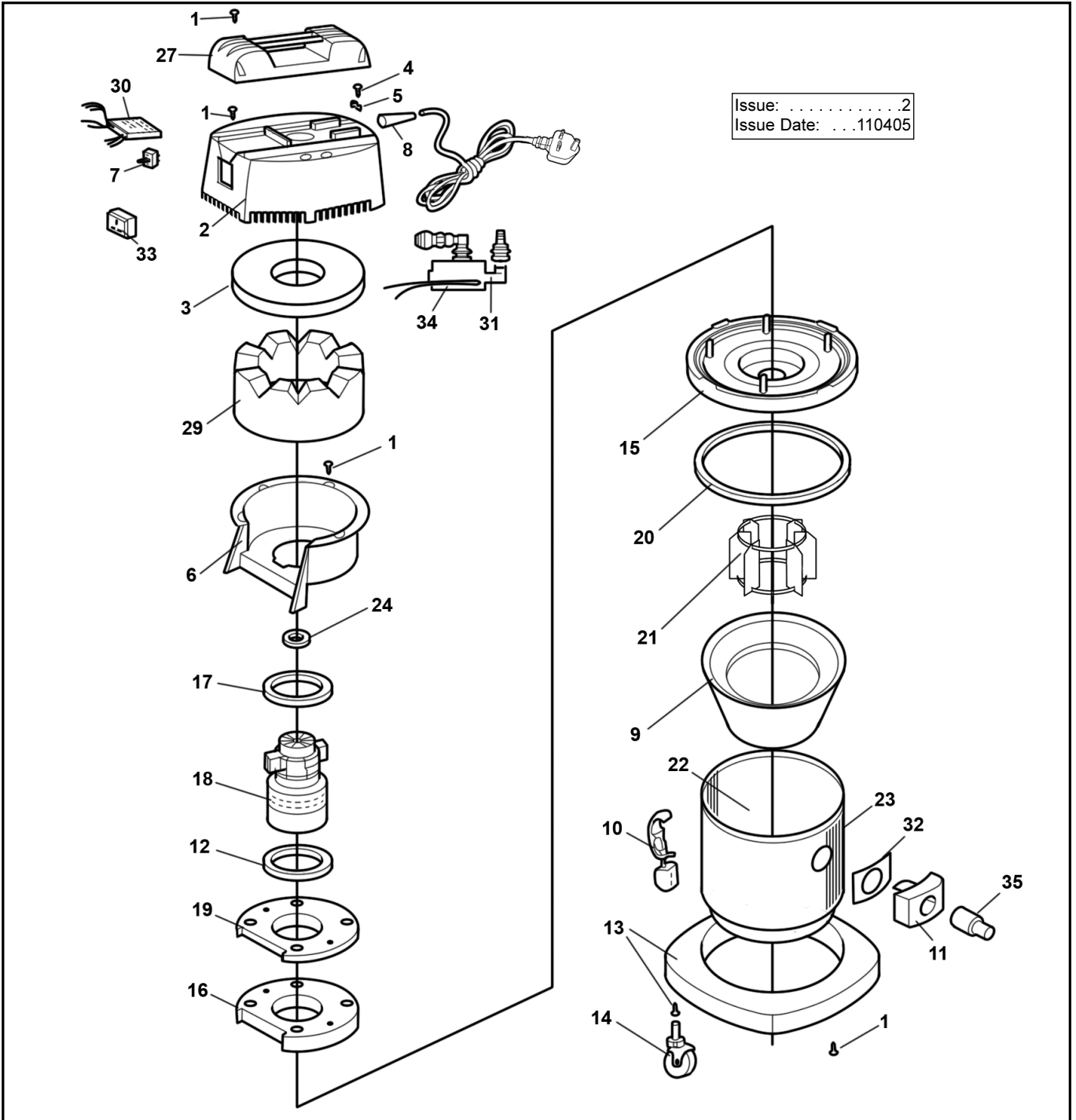


Issue: 2
 Issue Date: ...110405



No.	Part No	Description	No.	Part No	Description	No.	Part No	Description
1	122/02508570	Screw, 5 x 16mm	12	122/02502533	Gasket, Motor lower	23	122/02207000	Tank
2	122/02206302	Top cover	13	122/06003188	Base, Trolley	24	122/02502518	Motor Gasket
3	122/03000071	Silencer, Motor	14	122/02510155	Castor Wheel	27	122/02206001	Handle
4	122/02508500	Screw, 2.9 x 19mm	15	122/02206201	Motor Cover, Lower	29	122/03000070	Silencer, Round
5	122/2001340	Cable Grip	16	122/03000072	Silencer, Motor base Lower	30	122/98.03.35	Electronic Card
6	122/02200907	Motor Cover, Middle	17	122/02502530	Gasket, Motor Upper	31	122/99.03.99	Electro-pneumatic valve
7	122/34.06.77	Switch, Manual / Automatic	18	122/02505145	Motor A39 800W	32	122/02502550	Gasket, hose inlet
8	122/02502000	Cable sleeve	19	122/03000073	Silencer, Motor base, Upper	33	122/34.02.01	Socket
9	122/06610000	Complete filter	20	122/02502400	Gasket, Motor base	34	122/99.03.09	Magnetic reed valve
10	122/06100002	Clip, Bin	21	122/06000500	Float cage complete	35	122/36.01.44	Complete nozzle
11	122/06000205	Hose inlet (1/D 50mm)	22	122/02508591	Screw, 5 x 22mm			