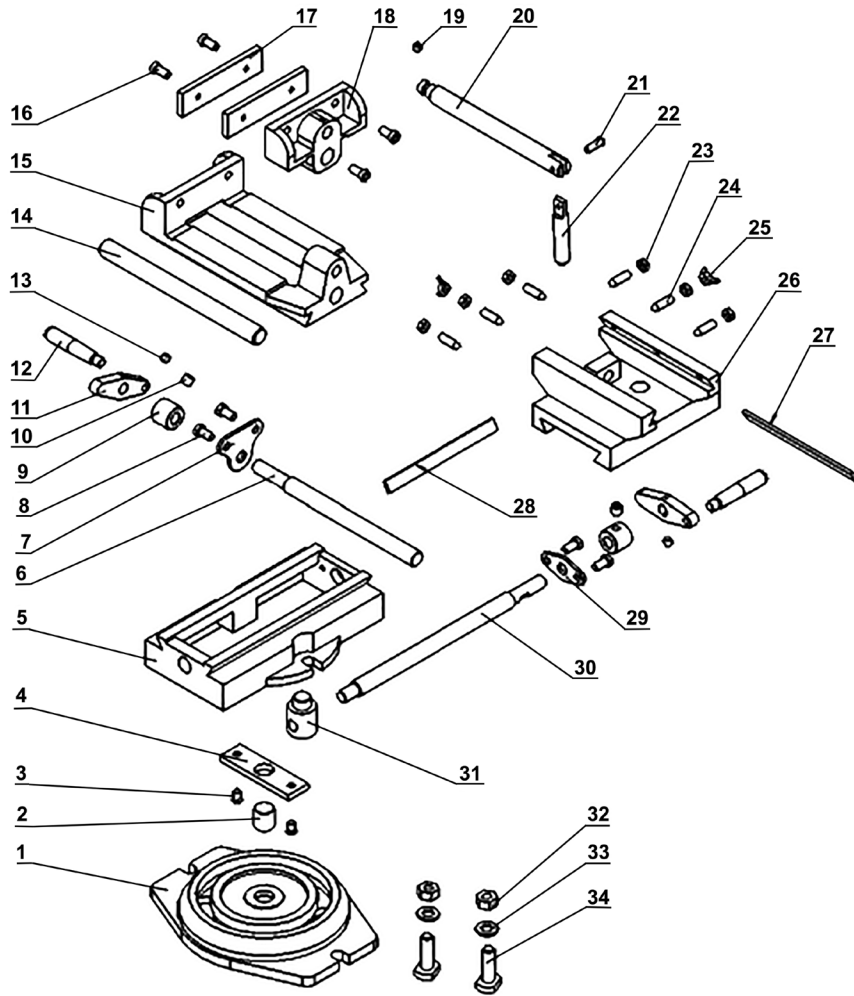


Parts Information:  
**Compound Cross Vice 150mm**  
**Model No: CV6.V3**



Item	Part No.	Description
1	CV6.V3-01	Swivel Base
2	CV6.V3-02	Hitch Pin
3	CV6.V3-03	Socket Head Flat Screw
4	CV6.V3-04	Swivel Locking Ring
5	CV6.V3-05	Base (A)
6	CV6.V3-06	Lead Screw (A)
7	CV6.V3-07	Support for Clamp Body
8	CV6.V3-08	Hex Bolt
9	CV6.V3-09	Scale Stud
10	CV6.V3-10	Set Screw
11	CV6.V3-11	Handle
12	CV6.V3-12	Handle Shaft (A)
13	CV6.V3-13	Set Screw M6
14	CV6.V3-14	Shaft (B)
15	CV6.V3-15	Clamp Body
16	CV6.V3-16	Jaw Face Screw
17	CV6.V3-17	Jaw Face

Item	Part No.	Description
18	CV6.V3-18	Moveable Block
19	CV6.V3-19	Set Screw
20	CV6.V3-20	Central Slide Bar (Large)
21	CV6.V3-21	Pin for Central Slide Bar
22	CV6.V3-22	Central Slide Bar (Small)
23	SN6.S	Steel Nut M6 Zinc
24	CV6.V3-24	Screw for Base (B)
25	SN6.SW	Wing Nut M6 Zinc
26	CV6.V3-26	Base (B)
27	CV6.V3-27	Wedge (A)
28	CV6.V3-28	Wedge (B)
29	CV6.V3-29	Lead Screw Support
30	CV6.V3-30	Lead Screw (B)
31	CV6.V3-31	Lead Screw Nut
32	SN10.SB	Steel Nut M10 Black
33	FWM10.SB	Flat Washer M10 Black
34	CV6.V3-34	T-Bolt

**NOTE:** It is our policy to continually improve products and as such we reserve the right to alter data, specifications and component parts without prior notice. There may be alternative versions of this product, please contact us should you require this information.

**IMPORTANT:** No liability is accepted for incorrect use of product. Spare parts must be fitted by a competent person

**WARRANTY:** Guarantee is 12 months from purchase date, proof of which will be required for any claim.