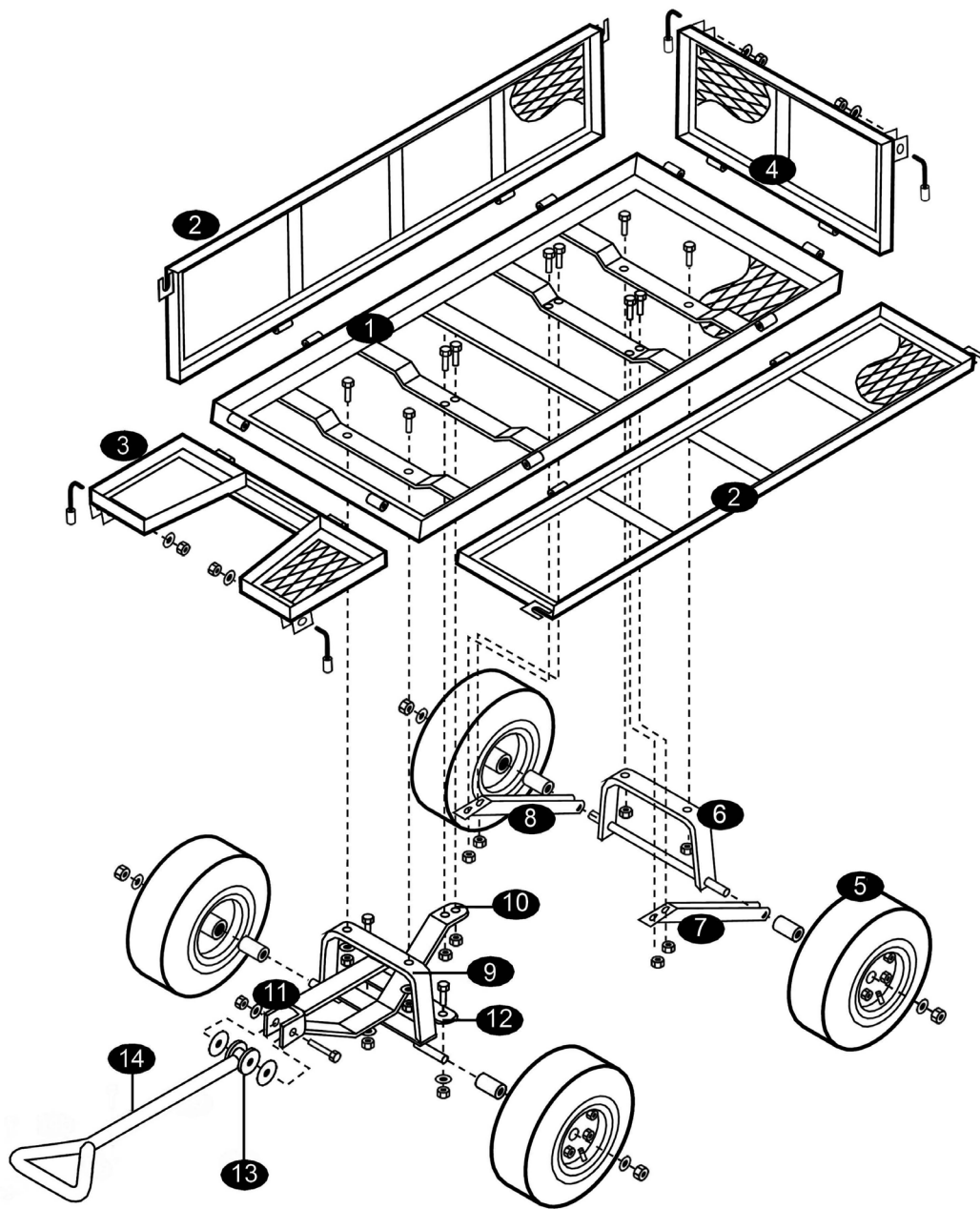


Parts Information:
Platform Truck with Sides Pneumatic Tyres
350kg Capacity
Model No: CST806.V2



Item	Part No.	Description
1	CST806-V2-01	Bed
2	CST806-V2-02	Side Panel (Left/Right)
3	CST806-V2-03	Front Panel
4	CST806-V2-04	Back Panel
5	CST806-V2-05	Wheel, Pneumatic
6	CST806-V2-06	Rear Axle Support
7	CST806-V2-07	Left Rear Axle Brace
8	CST806-V2-08	Right Rear Axle Brace
9	CST806-V2-09	Front Axle Support

Item	Part No.	Description
10	CST806-V2-10	Centre Front Axle Brace
11	CST806-V2-11	Yoke
12	CST806-V2-12	Steering Link Connector
13	CST806-V2-13	Plastic Coupling
14	CST806-V2-14	Pull Handle Assembly
--	CST806-V2-16	Rubber Matt (Not Shown)
--	CST806-V2-17	Removable Storage Tray (Not Shown)
--	CST806-V2-18	Plastic Floor Tray (Not Shown)
--	CST806-V2-FK	Hardware/Fixing Kit (Not Shown)

NOTE: It is our policy to continually improve products and as such we reserve the right to alter data, specifications and component parts without prior notice. There may be alternative versions of this product, please contact us should you require this information.

IMPORTANT: No liability is accepted for incorrect use of product. Spare parts must be fitted by a competent person

WARRANTY: Guarantee is 12 months from purchase date, proof of which will be required for any claim.