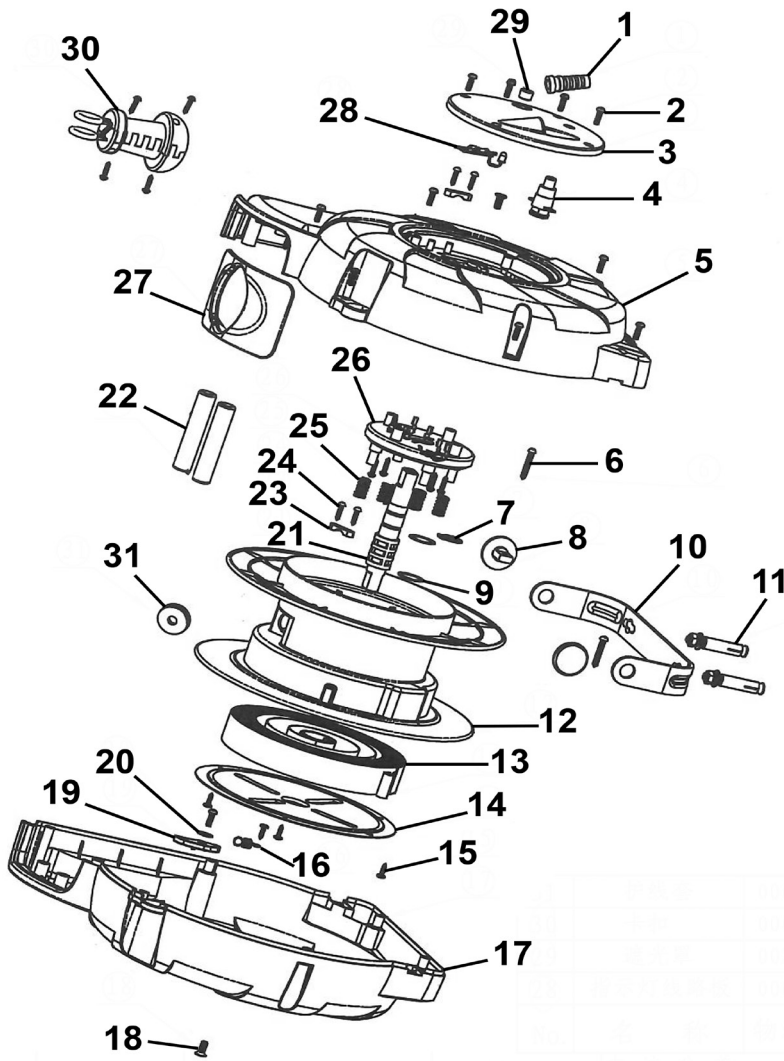




Parts Information:  
**Cable Reel System Retractable 15m 2 x  
 230V Socket**  
**Model No: CRM15.V6**



Item	Part No.	Description	Qty
1	CRM15-V6-01	Protection Sheath	1
2	SG115.V2-36	Rd Head S/T Screw M4 X 12	12
3	CRM15-V6-03	Cover	1
4	CRM15-V6-04	Thermal Trip	1
5	CRM15-V6-05	Side Cover, Right	1
6	CRM15-V6-06	Rd Head S/T Screw M4 x 35	2
7	CRM15-V6-07	External Circlip Ø16	1
8	CRM15-V6-08	Wall Bracket Pin	2
9	CRM15-V6-09	Seal Ring	2
10	CRM15-V6-10	Wall Bracket	1
11	CRM15-V6-11	Wall Fixing Screw	2
12	CRM15-V6-12	Drum	1
13	CRM15-V6-13	Main Spring	1
14	CRM15-V6-14	Spring Cover	1
15	CRM151.09	Screw (st3x12)	4
16	CRM15-V6-16	Ratchet Spring	1
17	CRM15-V6-17	Side Cover, Left	1
18	MSC512.S	Csk Phillips Machine Screw M5 X 12 Zinc	2
19	CRM15-V6-19	Pawl	1
20	CRM15-V6-20	Thin Washer	1
21	CRM15-V6-21	Pivot Guide	1
22	CRM15-V6-22	Guide Roller	2
23	CRM15-V6-23	Cable Grip	2
24	CRM15-V6-24	Rd Head S/T Screw M3 x 14	12
25	CRM15-V6-25	Pick-up Contact	4
26	CRM15-V6-26	Pick-up Assembly	1
27	CRM15-V6-27	Top Plate	1
28	CRM15-V6-28	PCB	1
29	CRM15-V6-29	Clear Lens	1
30	CRM15-V6-30	Stop Block	2
31	CRM15-V6-31	Rubber Grommet	1
--	CRM15-V6-S	Cable w/Twin Plug Socket 15m (Not Shown)	1

**NOTE:** It is our policy to continually improve products and as such we reserve the right to alter data, specifications and component parts without prior notice. There may be alternative versions of this product, please contact us should you require this information.

**IMPORTANT:** No liability is accepted for incorrect use of product. Spare parts must be fitted by a competent person

**WARRANTY:** Guarantee is 12 months from purchase date, proof of which will be required for any claim.

Sealey Group, Kempson Way, Suffolk Business Park, Bury St Edmunds, Suffolk. IP32 7AR



01284 757500



sales@sealey.co.uk



www.sealey.co.uk