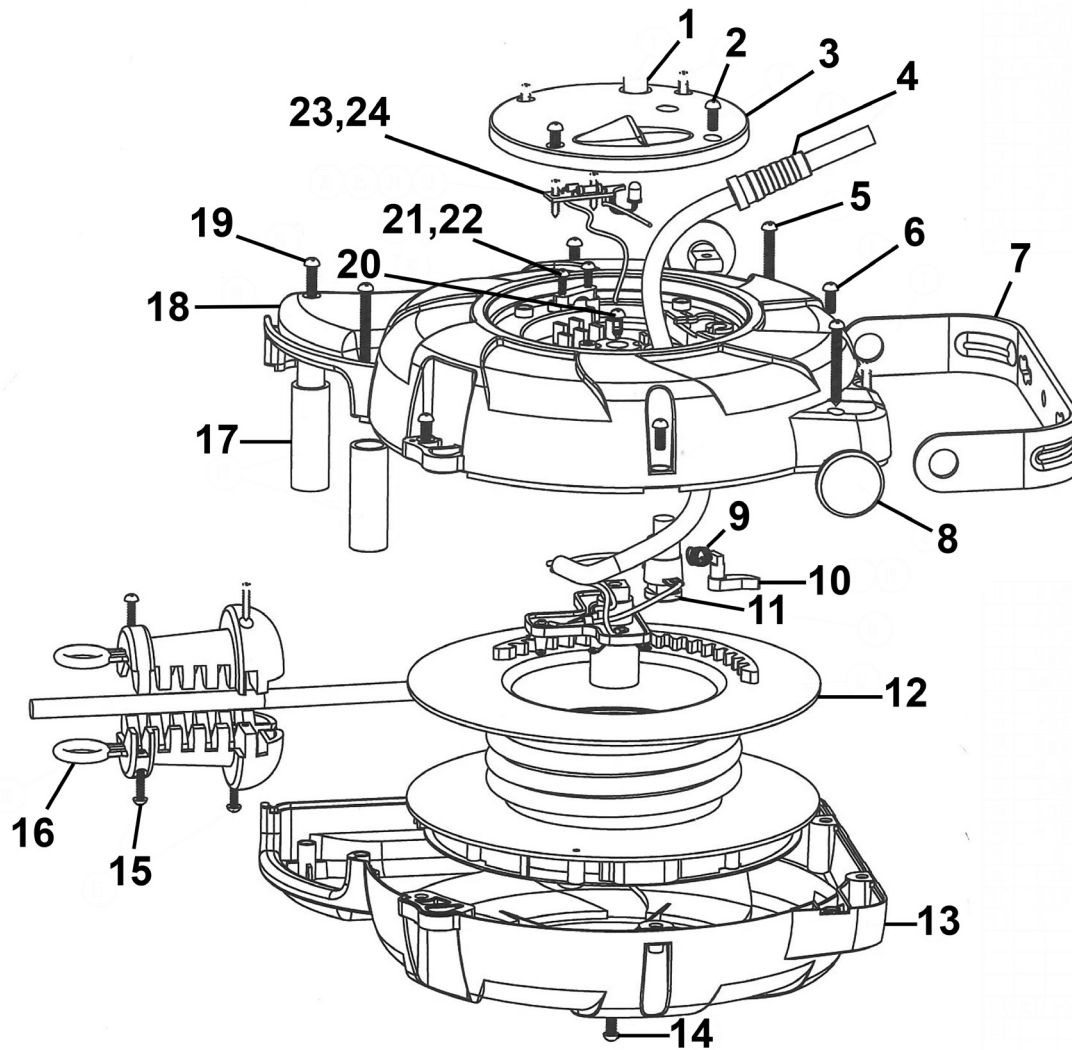


Parts Information:
Cable Reel System Retractable 10m 2 x 230V Socket
Model No: CRM10.V6



Item	Part No.	Description	Qty
1	CRM15-V6-29	Clear Lens	1
2	SG115.V2-36	Rd Head S/T Screw M4 X 12	4
3	CRM10-V6-03	Plastic Cover	1
4	CRM15-V6-01	Protection Sheath	1
5	CRM15-V6-06	Rd Head S/T Screw M4 x 35	3
6	SG115.V2-36	Rd Head S/T Screw M4 X 12	5
7	CRM10-V6-07	Wall Bracket	1
8	CRM15-V6-08	Wall Bracket Pin	1
9	CRM10-V6-09	Pawl Spring	1
10	CRM10-V6-10	Pawl	1
11	CRM10-V6-11	Thermal Trip	1
12	CRM10-V6-12	Drum	1
13	CRM10-V6-13	Side Cover, Left	1
14	MSP412.S	Machine Screw Pan Head Phillips M4 X 12mm	1

Item	Part No.	Description	Qty
15	CRM15-V6-24	Rd Head S/T Screw M3 x 14	4
16	CRM15-V6-30	Stop Block	2
17	CRM10-V6-17	Guide Roller	2
18	CRM10-V6-18	Side Cover, Right	1
19	SG2303.V2-41	Rd Head S/T Screw M3.8 X 18	1
20	BHSS414.SB	Button Head Socket Screw M4 X 14 Black	1
21	CRM15.V5-20	Rd Head S/T Screw M3 X 12	2
22	CRM10-V6-22	Cable Grip	1
23	CRM15-V6-28	PCB	1
24	CRM15.V5-20	Rd Head S/T Screw M3 X 12	2
--	CRM10-V6-S	Cable w/ Twin Plug Socket 10m (Not Shown)	1

NOTE: It is our policy to continually improve products and as such we reserve the right to alter data, specifications and component parts without prior notice. There may be alternative versions of this product, please contact us should you require this information.

IMPORTANT: No liability is accepted for incorrect use of product. Spare parts must be fitted by a competent person

WARRANTY: Guarantee is 12 months from purchase date, proof of which will be required for any claim.