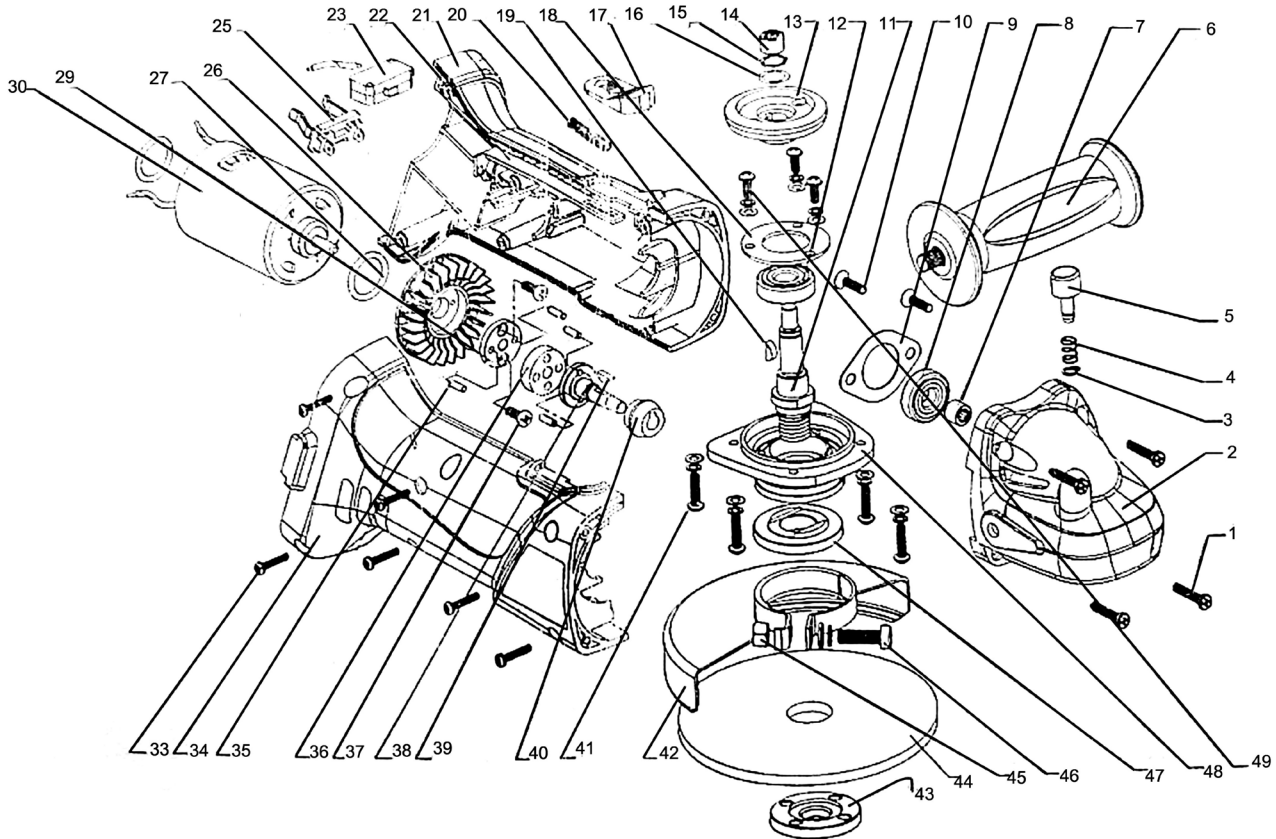




Parts Information:  
**Cordless Lithium-ion Angle Grinder 18V  
 115mm  
 Model No: CP5004**



Item	Part No.	Description
1, 2, 3, 4, 5	CP5004.02A	HEAD HOUSING ASS'Y
6	CP5004.06	SIDE HANDLE
7, 8	CP5004.02A	HEAD HOUSING ASS'Y
9	CP5004.09	FLANGE
10	CP5004.10	SCREW
11	CP5004.11A	SHAFT SPINDLE (c/w KEY)
12	CP5004.12	BEARING
13	CP5004.13	GEAR WHEEL
14	CP5004.14	ROLLER BEARING
15	CP5004.15	SNAP RING
16	CP5004.16	WASHER
17	CP5004.17A	SWITCH BUTTON (c/w SPRING)
18	CP5004.18	BEARING PRESS PLATE
19	CP5004.11A	SHAFT SPINDLE (c/w KEY)
20	CP5004.17A	SWITCH BUTTON (c/w SPRING)
21	CP5004.21A	CASING COMPLETE
22	CP5004.22	LINK
23	CP5004.23A	SWITCH ASS'Y
25	CP5004.25	BATTERY CONNECTOR

Item	Part No.	Description
26, 27, 29, 30	CP5004.30A	MOTOR ASS'Y
33, 34	CP5004.21A	CASING COMPLETE
35, 36, 37	CP5004.30A	MOTOR ASS'Y
38	CP5004.38	BEARING SHAFT
39	CP5004.39	PIN
40	CP5004.40	PINION
41	CP5004.41	SCREW
42	CP5004.42	WHEEL GUARD
43	CP5004.43	FLANGE NUT
44	PTC/115G	GRINDING DISC 115 x 6mm 22mm BORE
45	CP5004.45	NUT
46	CP5004.46	SCREW
47	CP5004.47	FLANGE
48	CP5004.48	HEAD COVER
49	CP5004.49	SCREW
--	CP5004B	CORDLESS LITH-ION ANGLE GRINDER 115mm (NOT SHOWN)

**NOTE:** It is our policy to continually improve products and as such we reserve the right to alter data, specifications and component parts without prior notice.

**IMPORTANT:** No liability is accepted for incorrect use of product.

**WARRANTY:** Guarantee is 12 months from purchase date, proof of which will be required for any claim.

**Sealey Group**, Kempson Way, Suffolk Business Park, Bury St Edmunds, Suffolk. IP32 7AR



01284 757500



01284 703534



sales@sealey.co.uk



www.sealey.co.uk