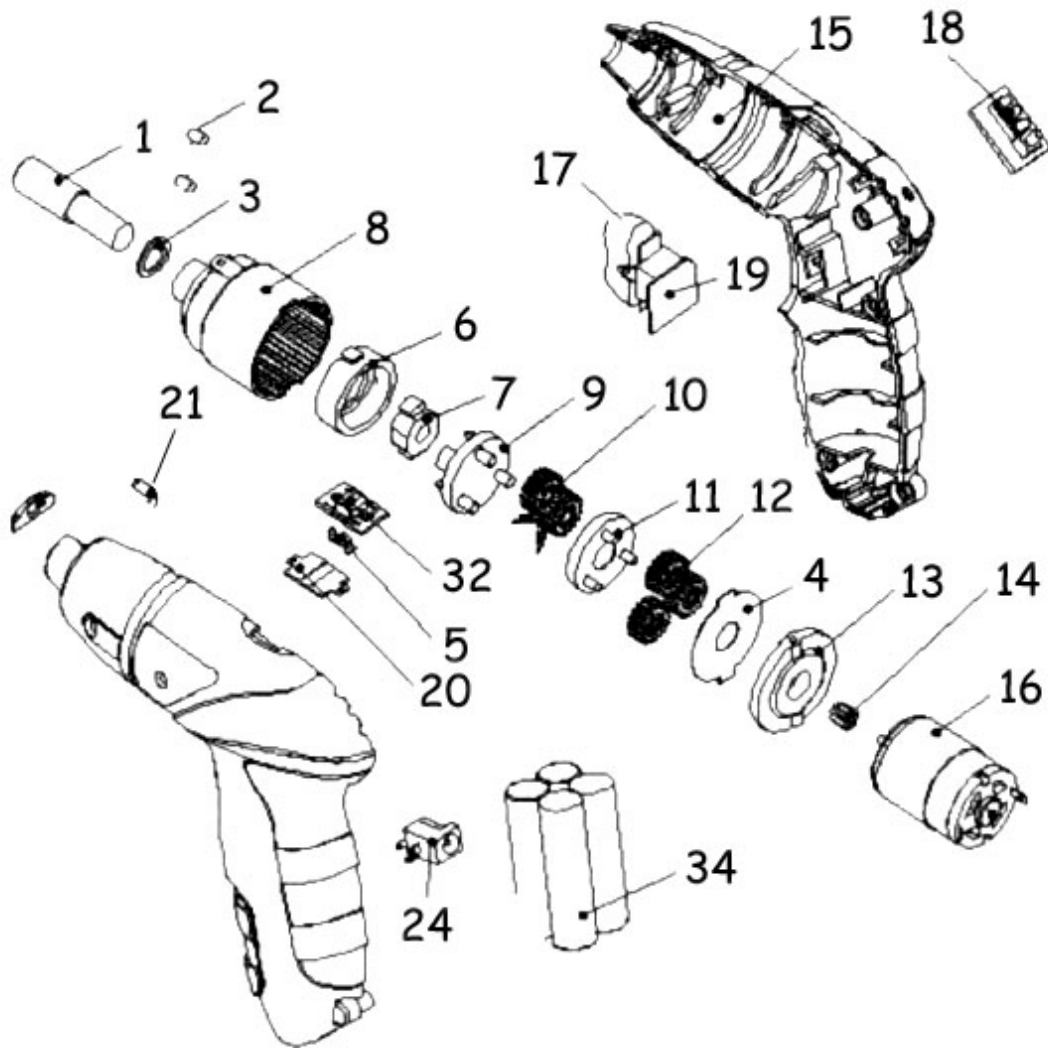




Parts Information:
Cordless Screwdriver 4.8V with Pouch & Bits
Model No: CP48S



Item	Part No.	Description
1	CP48S.01	OUTPUT AXIS
2	CP48S.02	AXIS
3	CP48S.03	WASHER
4	CP48S.04	WASHER
5	CP48S.05	SPRING
6	CP48S.06	FREE WHEEL OUTLET
7	CP48S.07	FREE WHEEL AXIS
8	CP48S.08	GEARBOX
9	CP48S.09	PINION HOLDER
10	CP48S.10	PINION GEAR
11	CP48S.11	PINION HOLDER
12	CP48S.12	PINION GEAR
13	CP48S.13	CARTER BONNET
14	CP48S.14	MOTOR PINION

Item	Part No.	Description
15	CP48S.15	CASING COMPLETE
16	CP48S.16	MOTOR
17	CP48S.17	SWITCH & PCB ASS'Y (INCLUDES PART 19)
18	CP48S.18	PRINTER CIRCUIT
19	CP48S.17	SWITCH & PCB ASS'Y (INCLUDES PART 17)
20	CP48S.20	PRINTED CIRCUIT FOR LED
21	CP48S.21	LED LIGHT
--	CP48S.22	1 *** (NOT SHOWN)
24	CP48S.24	CONNECTOR
32	CP48S.32	SWITCH
34	CP48S.34	BATTERY(1.2V,800mAh NiCad)
--	CP48S.B	DRIVER BIT SET (NOT SHOWN)
--	CP48S.B1	HSS BIT, LONG BITS & ADAPTOR (NOT SHOWN)
--	CP48S.C	BATTERY CHARGER 6V 300mA (NOT SHOWN)

NOTE: It is our policy to continually improve products and as such we reserve the right to alter data, specifications and component parts without prior notice.

IMPORTANT: No liability is accepted for incorrect use of product.

WARRANTY: Guarantee is 12 months from purchase date, proof of which will be required for any claim.

Sealey Group, Kempson Way, Suffolk Business Park, Bury St Edmunds, Suffolk. IP32 7AR



01284 757500



01284 703534



sales@sealey.co.uk



www.sealey.co.uk