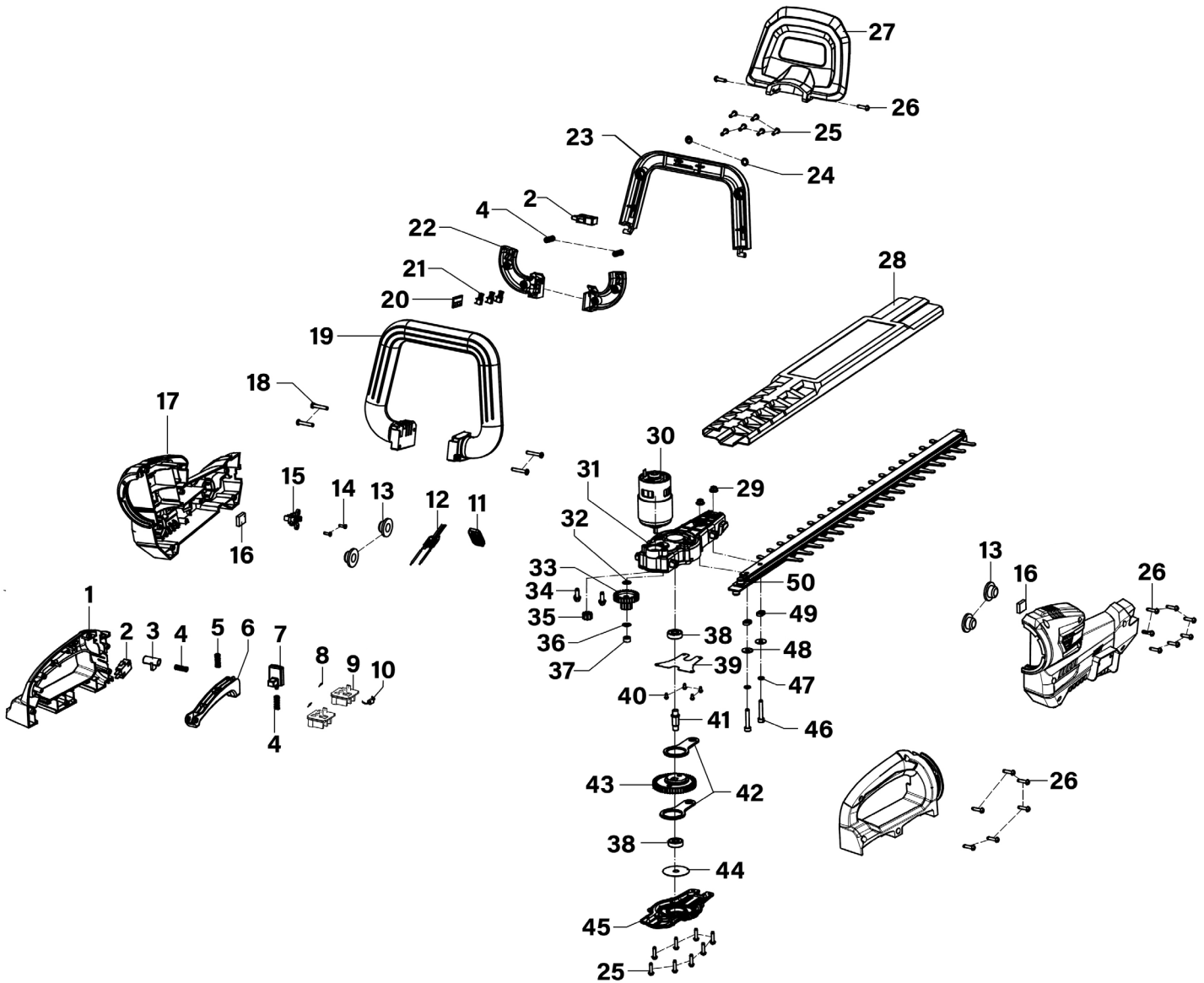




Parts Information:
**Hedge Trimmer 40V SV20 Series 52cm -
 Body Only**
Model No: CP40VHT



Item	Part No.	Description	Qty
1	CP40VHT-01	Body Cover	1
2	CP40VHT-02	Micro Switch	2
3	CP40VHT-03	Push Rod	1
4	CP40VHT-04	Push Rod Spring	4
5	CP40VHT-05	Switch Spring	1
6	CP40VHT-06	Switch Button	1
7	CP40VHT-07	Steering Button	1
8	CP40VHT-08	Resistor	2
9	CP40VHT-09	Battery Connection	2
10	CP40VHT-10	Diode	1
11	CP40VHT-11	Inductance	1
12	CP40VHT-12	Magnetic Bar Inductance	2

Item	Part No.	Description	Qty
13	CP40VHT-13	Shock Absorber	4
14	CP40VHT-14	Tapping Screw	2
15	CP40VHT-15	Plug-in Base	1
16	CP40VHT-16	Shock Pad	2
17	CP40VHT-17	Rotating Bottom Cover	1
18	CP40VHT-18	Panhead Tapping Screw	4
19	CP40VHT-19	Auxiliary Handle	1
20	CP40VHT-20	PCB	1
21	CP40VHT-21	Battery Pack Insert	3
22	CP40VHT-22	Left/Right Fixing Frame	1
23	CP40VHT-23	Auxiliary Handle Button	1
24	CP40VHT-24	Bush	2

NOTE: It is our policy to continually improve products and as such we reserve the right to alter data, specifications and component parts without prior notice. There may be alternative versions of this product, please contact us should you require this information.

IMPORTANT: No liability is accepted for incorrect use of product. Spare parts must be fitted by a competent person

WARRANTY: Guarantee is 12 months from purchase date, proof of which will be required for any claim.

Sealey Group, Kempson Way, Suffolk Business Park, Bury St Edmunds, Suffolk. IP32 7AR



01284 757500



sales@sealey.co.uk



www.sealey.co.uk



Parts Information:
Hedge Trimmer 40V SV20 Series 52cm -
Body Only
Model No: CP40VHT

Item	Part No.	Description	Qty
25	CP40VHT-25	Tapping Screw	14
26	CP40VHT-26	Panhead Tapping Screw	15
27	CP40VHT-27	Protection Cover	1
28	CP40VHT-28	Cutting Blade Sleeve	1
29	CP40VHT-29	Lock Nut	2
30	CP40VHT-30	Motor	1
31	CP40VHT-31	Gearbox	1
32	CP40VHT-32	Gasket	1
33	CP40VHT-33	Tower Gear	1
34	CP40VHT-34	Screw Assembly	2
35	CP40VHT-35	Gear	1
36	CP40VHT-36	Gasket	1
37	CP40VHT-37	Oil Bearing	1

Item	Part No.	Description	Qty
38	CP40VHT-38	Ball Bearing	2
39	CP40VHT-39	Cover	1
40	CP40VHT-40	Panhead Tapping Screw	4
41	CP40VHT-41	Transmission Shaft	1
42	CP40VHT-42	Connecting Rod	2
43	CP40VHT-43	Gear (Large)	1
44	CP40VHT-44	Washer	1
45	CP40VHT-45	Gearbox Cover	1
46	CP40VHT-46	Socket Cap Bolt	2
47	CP40VHT-47	Spring Washer	2
48	CP40VHT-48	Washer	2
49	CP40VHT-49	Cutting Blade Bush	2
50	CP40VHT-50	Cutting Blade Assembly	1

NOTE: It is our policy to continually improve products and as such we reserve the right to alter data, specifications and component parts without prior notice. There may be alternative versions of this product, please contact us should you require this information.

IMPORTANT: No liability is accepted for incorrect use of product. Spare parts must be fitted by a competent person

WARRANTY: Guarantee is 12 months from purchase date, proof of which will be required for any claim.

Sealey Group, Kempson Way, Suffolk Business Park, Bury St Edmunds, Suffolk. IP32 7AR



01284 757500



sales@sealey.co.uk



www.sealey.co.uk