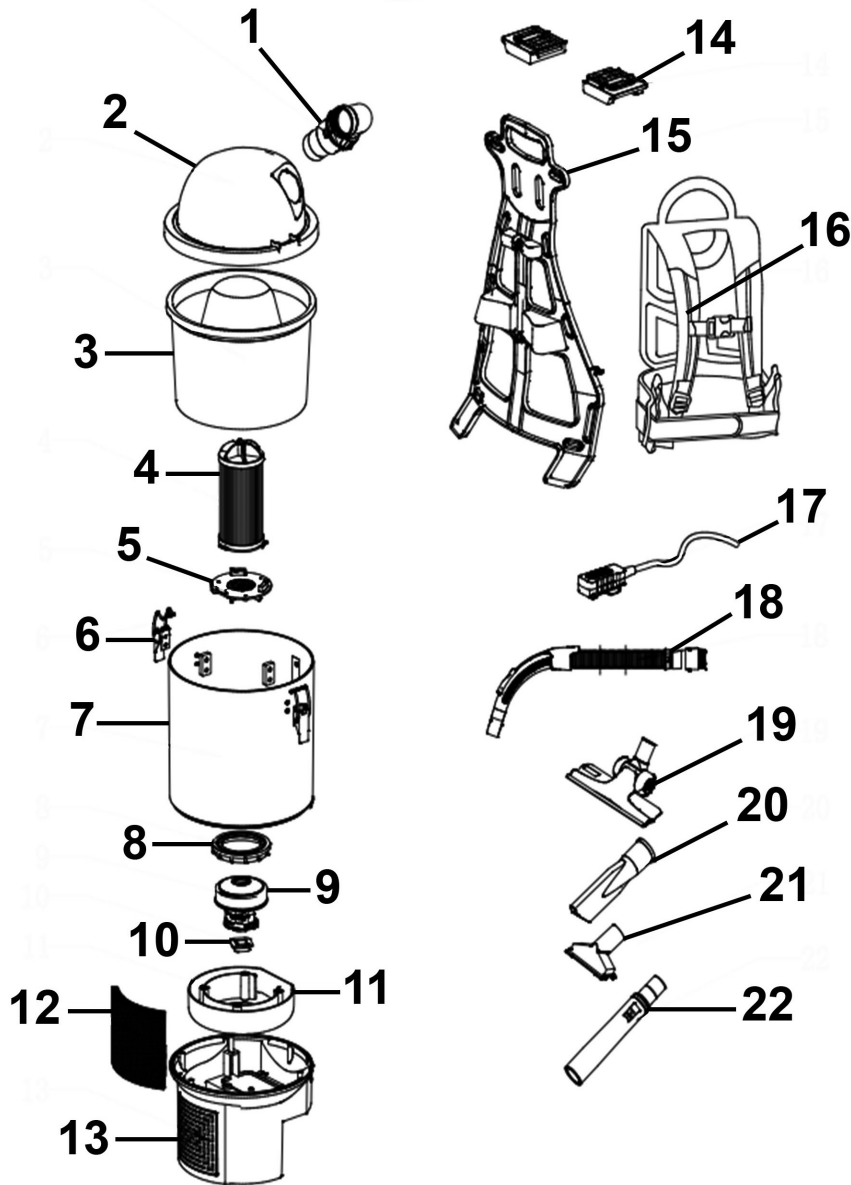




Parts Information:
SV20 Series Backpack Vacuum Cleaner
40V - Body Only
Model No: CP40VBV



Item	Part No.	Description	Qty
1	CP40VBV-01	Suction Outlet	1
2	CP40VBV-02	Top Cover	1
3	CP40VBV-03	Dust Bag	1
4	CP40VBV-04	HEPA Filter	1
5	CP40VBV-05	Air Inlet Cover	1
6	CP40VBV-06	Quick Release Clasp/Clip	2
7	CP40VBV-07	Tank	1
8	CP40VBV-08	Upper Gasket	1
9	CP40VBV-09	Motor	1
10	CP40VBV-10	Lower Gasket	1
11	CP40VBV-11	Motor Cover	1

Item	Part No.	Description	Qty
12	CP40VBV-12	Air Outlet Filter	1
13	CP40VBV-13	Base	1
14	CP40VBV-14	Support Plate for Battery Pack	2
15	CP40VBV-15	Backrest	1
16	CP40VBV-16	Shoulder Strap	1
17	CP40VBV-17	Cable c/w Switch	1
18	CP40VBV-18	Flexible Hose 1m	1
19	CP40VBV-19	Floor Brush	1
20	CP40VBV-20	Crevice Tool	1
21	CP40VBV-21	Brush Head	1
22	CP40VBV-22	Metal Telescopic Tube	1

NOTE: It is our policy to continually improve products and as such we reserve the right to alter data, specifications and component parts without prior notice. There may be alternative versions of this product, please contact us should you require this information.

IMPORTANT: No liability is accepted for incorrect use of product. Spare parts must be fitted by a competent person

WARRANTY: Guarantee is 12 months from purchase date, proof of which will be required for any claim.

Sealey Group, Kempson Way, Suffolk Business Park, Bury St Edmunds, Suffolk. IP32 7AR



01284 757500



sales@sealey.co.uk



www.sealey.co.uk