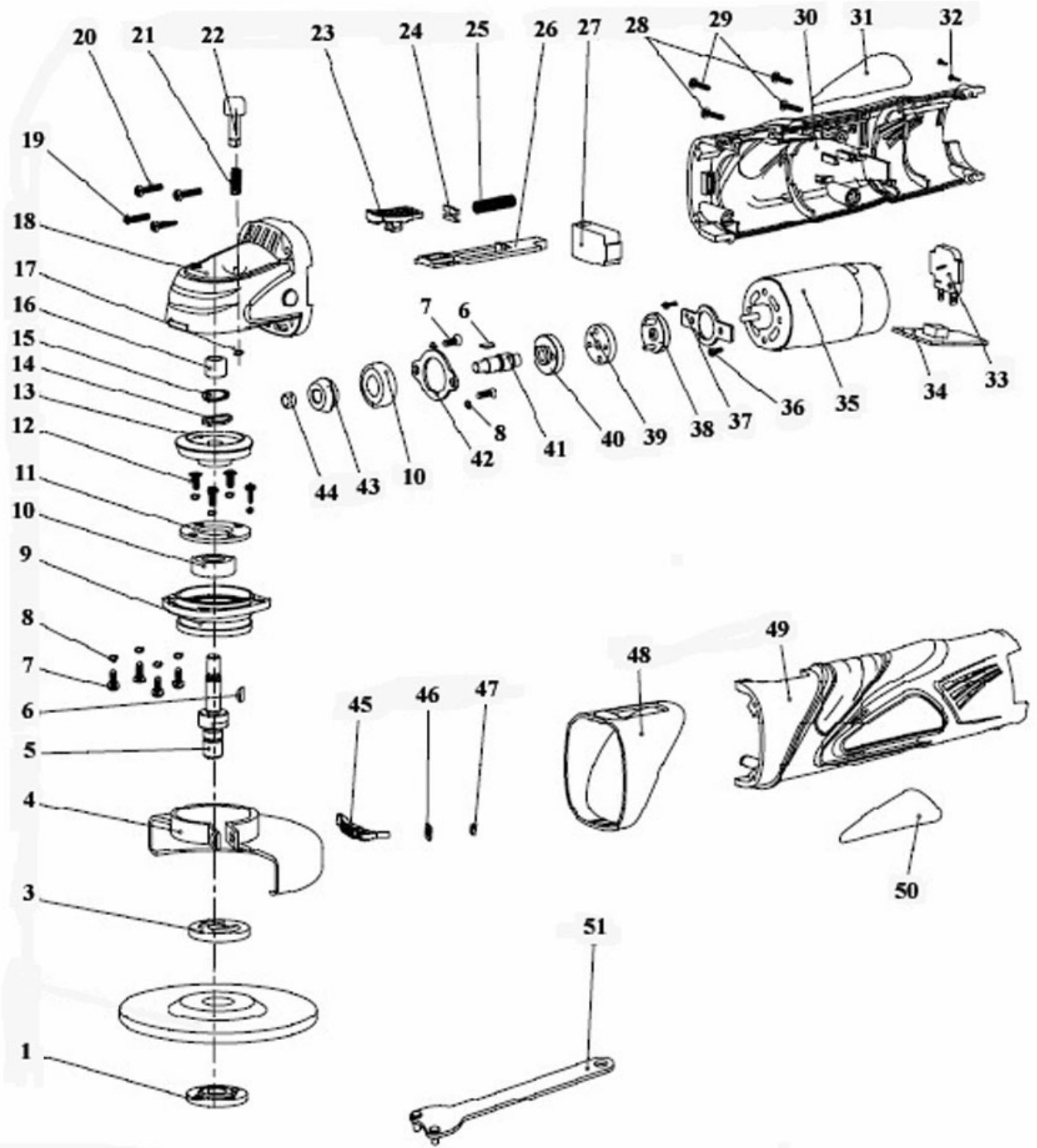




Parts Information:  
Cordless 100mm Angle Grinder 12V  
Lithium-ion  
Model No: CP4004



**NOTE:** It is our policy to continually improve products and as such we reserve the right to alter data, specifications and component parts without prior notice.

**IMPORTANT:** No liability is accepted for incorrect use of product.

**WARRANTY:** Guarantee is 12 months from purchase date, proof of which will be required for any claim.

Sealey Group, Kempson Way, Suffolk Business Park, Bury St Edmunds, Suffolk. IP32 7AR



01284 757500



01284 703534



sales@sealey.co.uk



www.sealey.co.uk



Parts Information:  
Cordless 100mm Angle Grinder 12V  
Lithium-ion  
Model No: CP4004

Item	Part No.	Description
1	CP4004.01	FLANGE NUT
3	CP4004.03	BELOW PRESS TABLE FLANGE
4	CP4004.04	WHEEL GUARD
5	CP4004.05	OUTPUT SHAFT SPINDLE
6	CP4004.06	KEY
7	MSP410.SB	MACHINE SCREW PAN HEAD PHILLIPS M4x10mm
8	SWM4.SB	SPRING WASHER M4 BLACK (SINGLE)
9	CP4004.09	HEAD COVER
10	B/608ZZ	BEARING 608ZZ
11	CP4004.11	BEARING PRESSING PLATE
12	CP4004.12	PAN HEAD SCREW
13	CP4004.13	GEAR WHEEL
14	CP4004.14	WAVE WASHER
15	CP4004.15	CIRCLIP FOR SHAFT
16	B/HK0709	NEEDLE BEARING HK0709
17	CP4004.17	BAFFLE RING
18	CP4004.18	HEAD HOUSING
19	CP4004.19	RD HEAD S/T SCREW M3X14 BLACK
20	CP4004.20	SCREW ST3x20
21	CP4004.21	LOCKING PIN SPRING
22	CP4004.22	LOCKING PIN ASSY
23	CP4004.23	PUSH BUTTON
24	CP4004.24	SNAP GAUGE
25	CP4004.25	SPRING KNOB
26	CP4004.26	TIE BAR
27	CP4004.27	SWITCH
28	CP4004.28	SCREW ST3x25
29	CP4004.29	SCREW ST3x20

Item	Part No.	Description
30	CP4004.30	RIGHT HOUSING
31	CP4004.31	LABEL
32	CP4004.32	SCREW ST2.2x10
33	CP4004.33	CONNECTION BLOCK
34	CP4004.34	PCB
35	CP4004.35	MOTOR
36	CP4004.36	SCREW M3x6
37	CP4004.37	LOCATING PLATE
38	CP4004.38	FLANGE 'B'
39	CP4004.39	RUBBER FLANGE
40	CP4004.40	FLANGE 'A'
41	CP4004.41	BEARING SHAFT
42	CP4004.42	BEARING PRESSING PLATE
43	CP4004.43	PINION
44	CP4004.44	BUSH
45	CP4004.45	WRENCH COMPONENTS
46	CP4004.46	GASKET
47	SN5.S	STEEL NUT M5 ZINC DIN934 (SINGLE)
48	CP4004.48	SLEEVE
49	CP4004.49	LEFT HOUSING
50	CP4004.50	NAME PLATE
51	CP4004.51	WRENCH
--	PTC/100C	CUTTING DISC 100 x 3mm 16mm BORE (NOT SHOWN)
--	PTC/100CET	CUTTING DISC 100 x 1.2mm 16mm BORE (NOT SHOWN)
--	PTC/100CT	CUTTING DISC 100 x 1.6mm 16mm BORE (NOT SHOWN)
--	PTC/100G	GRINDING DISC 100 x 6mm 16mm BORE (NOT SHOWN)

**NOTE:** It is our policy to continually improve products and as such we reserve the right to alter data, specifications and component parts without prior notice.

**IMPORTANT:** No liability is accepted for incorrect use of product.

**WARRANTY:** Guarantee is 12 months from purchase date, proof of which will be required for any claim.

Sealey Group, Kempson Way, Suffolk Business Park, Bury St Edmunds, Suffolk. IP32 7AR



01284 757500



01284 703534



sales@sealey.co.uk



www.sealey.co.uk