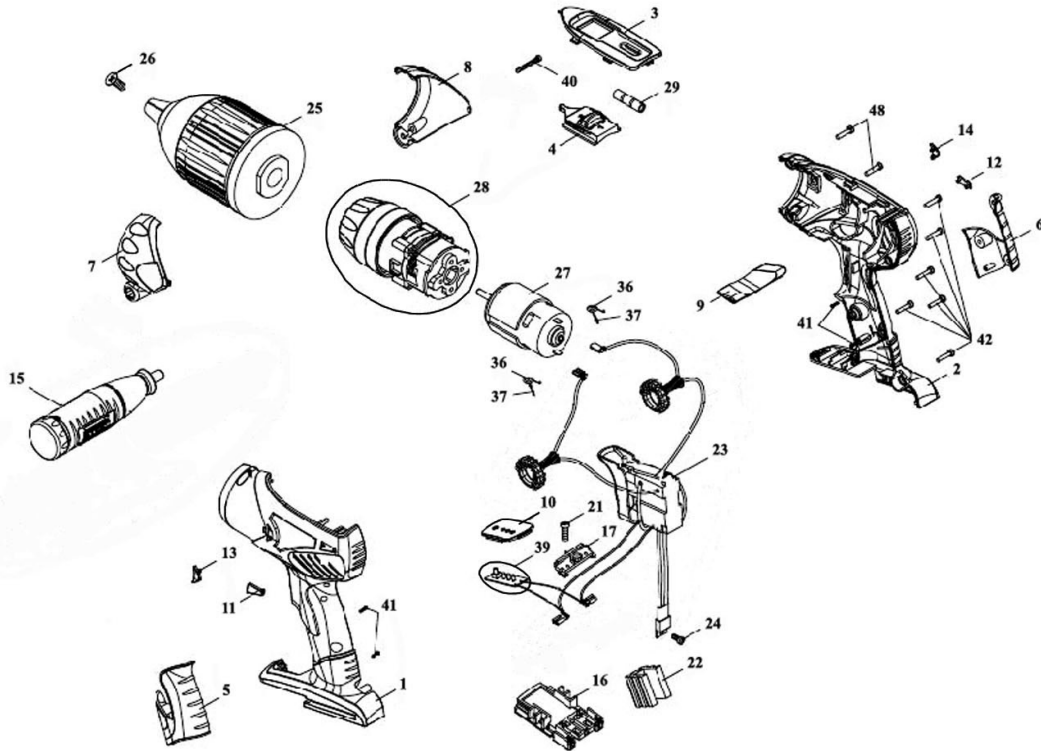




Parts Information:
**Cordless Hammer Drill/Driver 24V Super
 Torque 1hr Charge - 2 Batteries**
Model No: CP3024VHK



Item	Part No.	Description
1	CP3024VHK.01	HOUSING (LEFT SIDE)
2	CP3024VHK.02	HOUSING (RIGHT SIDE)
3	CP3014VHK.03	TOP COVER
4	CP3014VHK.04	SHIFTER
5	CP3014VHK.05	HANDLE GRIP (LEFT)
6	CP3014VHK.06	HANDLE GRIP (RIGHT)
7	CP3024VHK.07	FRONT COVER (LEFT)
8	CP3024VHK.08	FRONT COVER (RIGHT)
9	CP3014VHK.09	BUTTON (L & R)
10	CP3014VHK.10	LED COVER
11	CP3014VHK.11	INSERT
12	CP3014VHK.12	INSERT
13	CP3014VHK.13	INSERT
14	CP3014VHK.14	INSERT
15	CP3014VHK.15	SIDE HANDLE (WITH BITS)
	CP3014VHK.15A	SQUARE BIT S0-S3
	CP3014VHK.15B	SQUARE BIT S1-S2
	CP3014VHK.15C	PHILLIPS BIT PH1-PH2
	CP3014VHK.15D	PHILLIPS BIT PH0-PH3
	CP3014VHK.15E	TORX BIT T10-T15
	CP3014VHK.15F	TORX BIT T20-T25
	CP3014VHK.15G	SLOTTED BIT 4-6
16	CP3024VHK.16	SLIDING BASE

Item	Part No.	Description
17	CP3014VHK.17	SLIDING BASE COVER
21	CP3014VHK.21	SCREW
22	CP3024VHK.22	HEAT SINK
23	CP3024VHK.23	SWITCH ASSEMBLY (24V)
24	MSP36.SB	MACHINE SCREW PAN HEAD PHILLIPS M3x6mm B
25	CP6018V.03	DRILL CHUCK
26	CP3014VHK.26	CHUCK SCREW,LEFT HAND THREAD
27	CP3024VHK.27	MOTOR ASSEMBLY
28	CP3014VHK.28	GEARBOX
29	CP3014VHK.29	LEVEL INDICATOR
36	CP3014VHK.36	CAPACITANCE
37	CP3014VHK.37	TRANSPARENT SLEEVE
39	CP3024VHK.39	LED BATTERY INDICATOR (24V)
40	MSP314.S	MACHINE SCREW PAN HEAD PHILLIPS M3x14mm
41	CP3014VHK.41	SCREW
42	CP3014VHK.42	RD HEAD S/T SCREW M3.5 X 16 BLACK
48	CP3014VHK.48	RD HEAD S/T SCREW M3.4 X 22 BLACK
--	CP3024VHKBP	C/LESS P/TOOL BATTERY 24V for CP3024VHK (NOT SHOWN)
--	CP3024VHK.CP	BATTERY CHARGER (NOT SHOWN)
--	CP3024VHK.49	LED LIGHT PUSH BUTTON (NOT SHOWN)
--	CP3024VHK.C	BLOW MOULD CASE (BLACK) (NOT SHOWN)

NOTE: It is our policy to continually improve products and as such we reserve the right to alter data, specifications and component parts without prior notice.

IMPORTANT: No liability is accepted for incorrect use of product.

WARRANTY: Guarantee is 12 months from purchase date, proof of which will be required for any claim.

Sealey Group, Kempson Way, Suffolk Business Park, Bury St Edmunds, Suffolk. IP32 7AR



01284 757500



01284 703534



sales@sealey.co.uk



www.sealey.co.uk