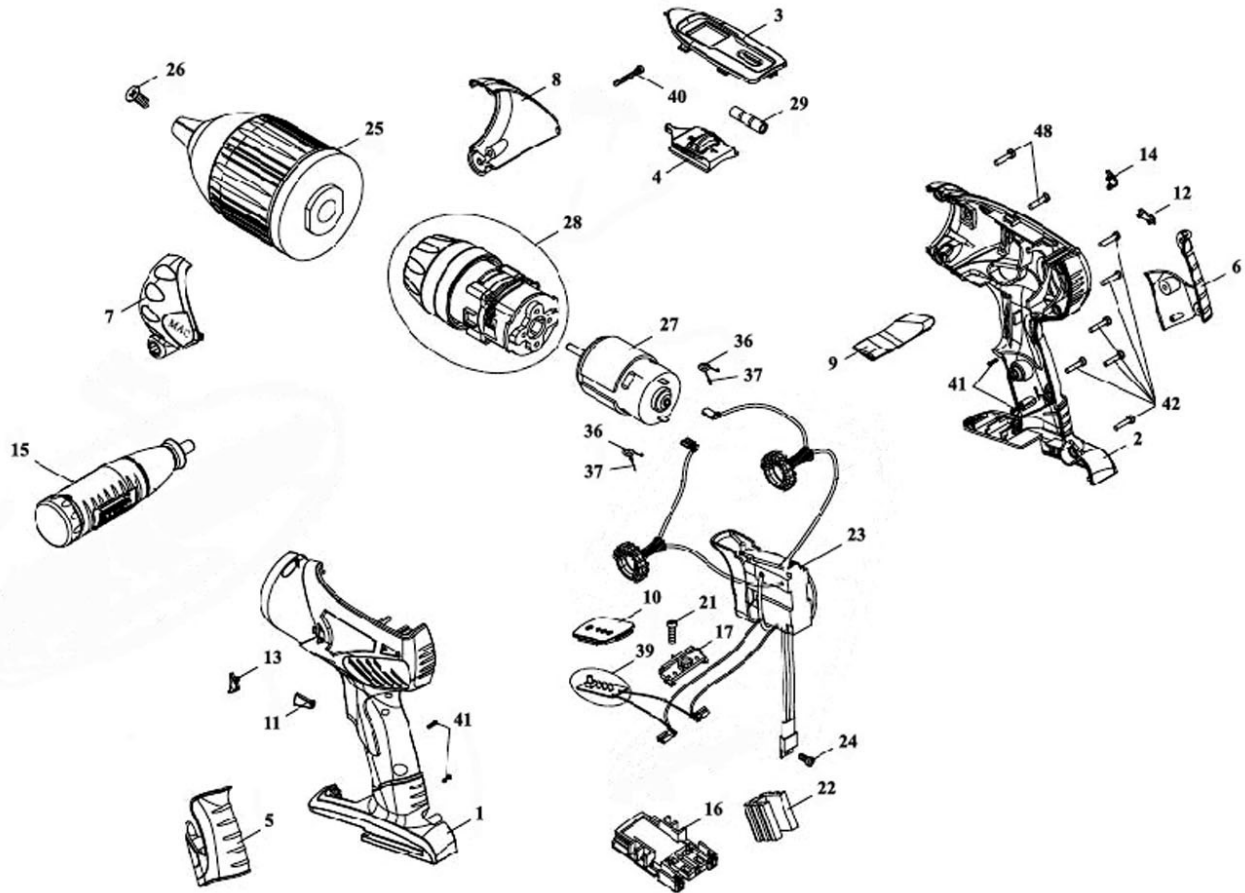




Parts Information:  
**Cordless Hammer Drill/Driver 18V Super  
 Torque 1hr Charge - 2 Batteries**  
**Model No: CP3018VHK**



Item	Part No.	Description
1	CP3018VHK.01	HOUSING (LEFT SIDE)
2	CP3018VHK.02	HOUSING (RIGHT SIDE)
3	CP3014VHK.03	TOP COVER
4	CP3014VHK.04	SHIFTER
5	CP3014VHK.05	HANDLE GRIP (LEFT)
6	CP3014VHK.06	HANDLE GRIP (RIGHT)
7	CP3014VHK.07	FRONT COVER
8	CP3014VHK.08	FRONT COVER (RIGHT)
9	CP3014VHK.09	BUTTON (L & R)
10	CP3014VHK.10	LED COVER
11	CP3014VHK.11	INSERT
12	CP3014VHK.12	INSERT
13	CP3014VHK.13	INSERT
14	CP3014VHK.14	INSERT
15	CP3014VHK.15	SIDE HANDLE (WITH BITS)
16	CP3018VHK.16	SLIDING BASE
17	CP3014VHK.17	SLIDING BASE COVER
21	CP3014VHK.21	SCREW
22	CP3014VHK.22	HEAT SINK

Item	Part No.	Description
23	CP3014VHK.23	SWITCH ASSEMBLY
24	MSP36.SB	MACHINE SCREW PAN HEAD PHILLIPS M3x6mm BLACK
25	CP6018V.03	DRILL CHUCK
26	CP3014VHK.26	CHUCK SCREW,LEFT HAND THREAD
27	CP3018VHK.27	MOTOR (18V)
28	CP3014VHK.28	GEARBOX
29	CP3014VHK.29	LEVEL INDICATOR
36	CP3014VHK.36	CAPACITANCE
37	CP3014VHK.37	TRANSPARENT SLEEVE
39	CP3018VHK.39	LED BATTERY INDICATOR
40	MSP314.S	MACHINE SCREW PAN HEAD PHILLIPS M3x14mm
41	CP3014VHK.41	SCREW
42	CP3014VHK.42	RD HEAD S/T SCREW M3.5 X 16 BLACK
48	CP3014VHK.48	RD HEAD S/T SCREW M3.4 X 22 BLACK
--	CP3018VHK.CP	BATTERY CHARGER (NOT SHOWN)
--	CP3018VHKBP	CORDLESS POWER TOOL BATTERY 18V CP3018VH (NOT SHOWN)
--	CP3018VHK.C	BLOW MOULD CASE (BLACK) (NOT SHOWN)

**NOTE:** It is our policy to continually improve products and as such we reserve the right to alter data, specifications and component parts without prior notice.

**IMPORTANT:** No liability is accepted for incorrect use of product.

**WARRANTY:** Guarantee is 12 months from purchase date, proof of which will be required for any claim.

Sealey Group, Kempson Way, Suffolk Business Park, Bury St Edmunds, Suffolk. IP32 7AR



01284 757500



01284 703534



sales@sealey.co.uk



www.sealey.co.uk