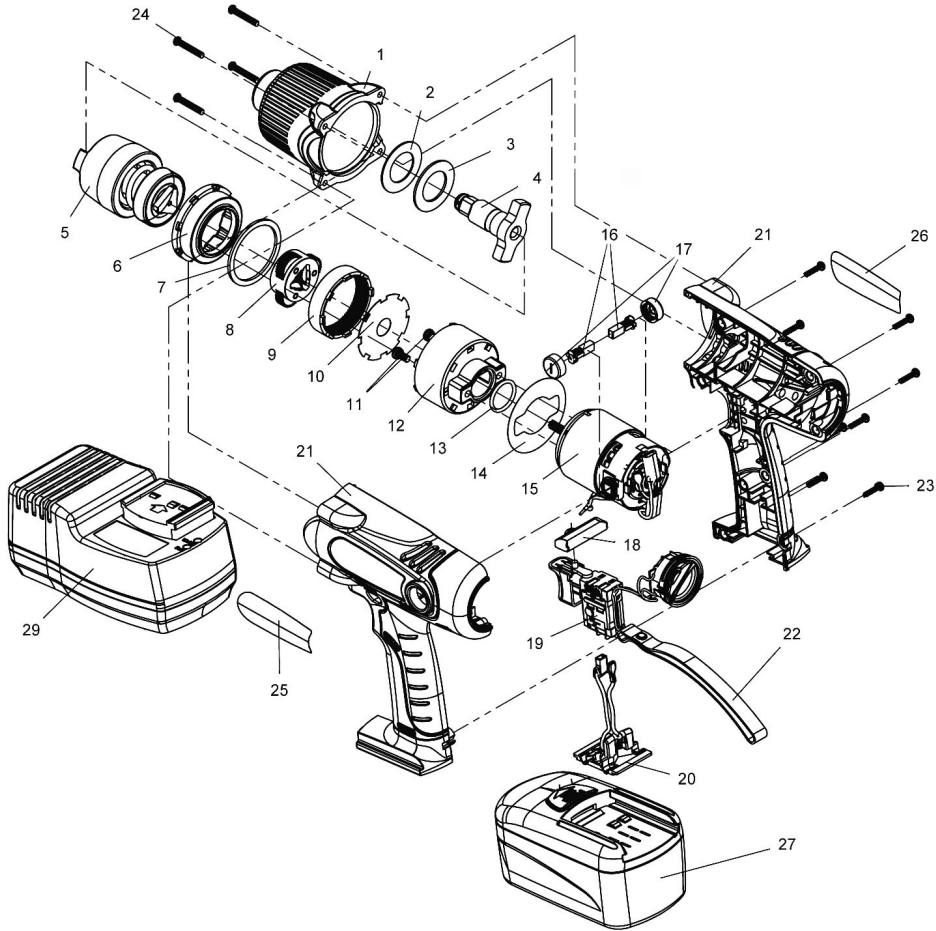




Parts Information:
**Cordless Impact Wrench 19.2V 1/2" Sq Drive
 Super Torque Control 400lb.ft
 Model No: CP3004**



| Item | Part No. | Description |
|------|-----------|--------------------------------|
| 1 | CP3004.01 | FRONT COVER ASS'Y |
| 2 | CP3004.02 | RUBBER WASHER |
| 3 | FWM24.SB | FLAT WASHER M24 BLACK (SINGLE) |
| 4 | CP3004.04 | FRONT IMPACT ASS'Y |
| 5 | CP3004.05 | REAR IMPACT ASS'Y |
| 6 | CP3004.06 | BEARING BLOCK |
| 7 | CP3004.07 | RUBBER WASHER M44X52 |
| 8 | CP3004.08 | PLANETARY GEARS |
| 9 | CP3004.09 | GEAR RING |
| 10 | CP3004.10 | FLAT DISC |
| 11 | CP3004.11 | SCREW |
| 12 | CP3004.12 | GEARBOX HOUSING |
| 13 | CP3004.13 | O-RING |
| 14 | CP3004.14 | PAD |
| 15 | CP3004.15 | MOTOR ASS'Y |

| Item | Part No. | Description |
|------|--------------|-----------------------------------|
| 16 | CP3004.16 | CARBON BRUSH (SINGLE) |
| 17 | CP3004.17 | CARBON BRUSH COVER |
| 18 | CP3004.18 | FORWARD/REVERSE ROD |
| 19 | CP3004.19 | MAIN SWITCH |
| 20 | CP3004.21N | BATTERY CONNECTOR ASSEMBLY |
| 21 | CP3004.21 | MAIN HOUSING COMPLETE |
| 22 | CP3004.22 | HAND STRAP (SO) |
| 23 | CP3004.24N | HOUSING SCREW |
| 24 | CP2400.V2-01 | RD HEAD S/T SCREW M4X24 |
| 25 | CP3004.26N | LABEL,L/H SIDE |
| 26 | CP3004.27N | LABEL,R/H SIDE |
| 27 | CP3002BP | CORDLESS POWER TOOL BATTERY 19.2V |
| 29 | CP3004.30N | CHARGER |
| -- | CP3002/C-IV | IN-VEHICLE CHARGER for CP3004 |

NOTE: It is our policy to continually improve products and as such we reserve the right to alter data, specifications and component parts without prior notice.

IMPORTANT: No liability is accepted for incorrect use of product.

WARRANTY: Guarantee is 12 months from purchase date, proof of which will be required for any claim.

Sealey Group, Kempson Way, Suffolk Business Park, Bury St Edmunds, Suffolk. IP32 7AR



01284 757500



01284 703534



sales@sealey.co.uk



www.sealey.co.uk