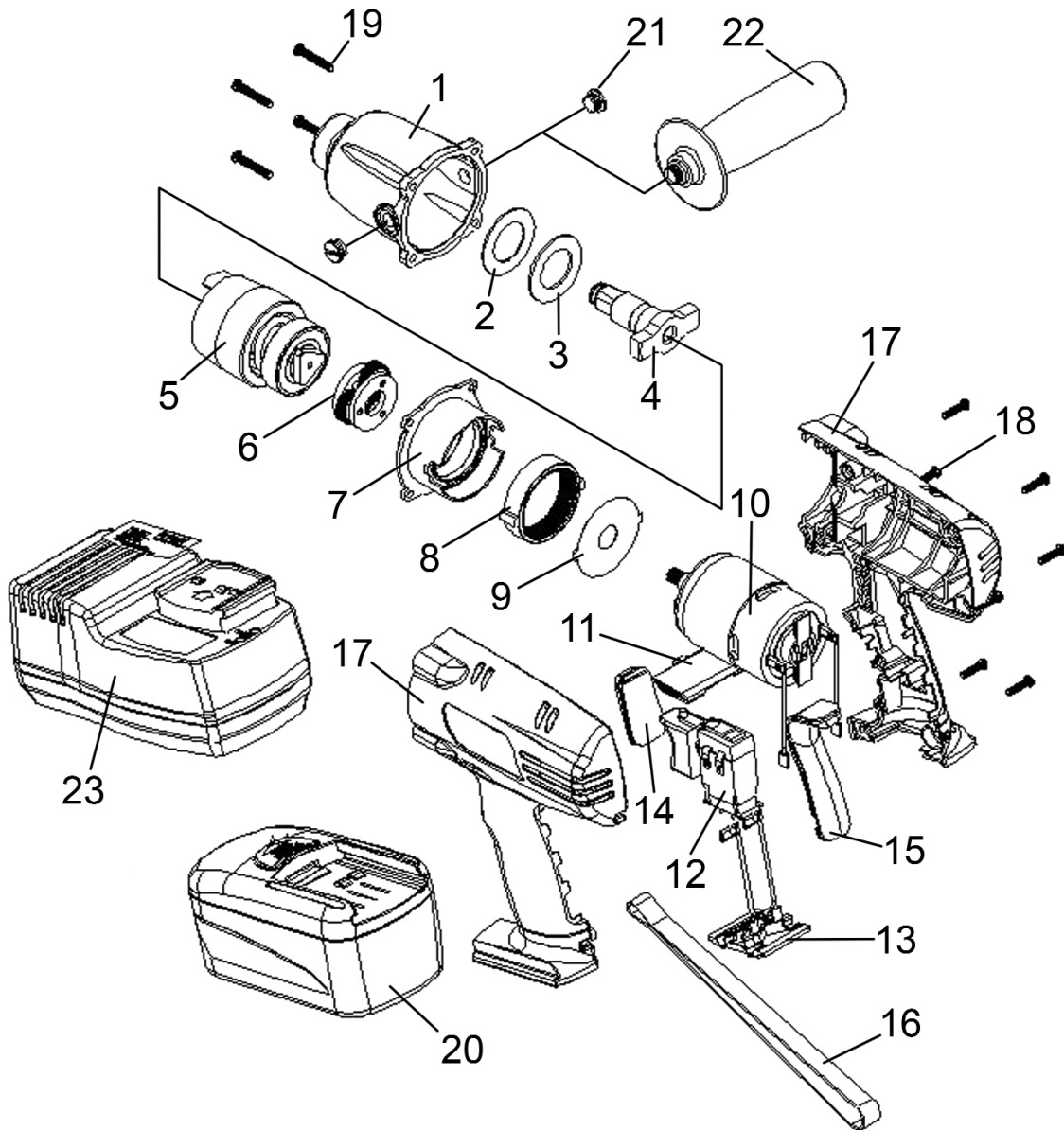




Parts Information:  
**Cordless Impact Wrench 19.2V 1/2" Sq Drive  
 Super Torque 285lb.ft  
 Model No: CP3002.V2**



Item	Part No.	Description
1	CP3002/01	Front Cover Ass'y
2	CP3001.V2-02	Rubber Washer
3	CP3001.V2-03	Washer
4	CP3001.V2-04	Front Impact Assy
5	CP3002/05	Rear Impact Ass'y
6	CP3002/06	Planetary Gears
7	CP3001.V2-06	Gear Ring Holder
8	CP3001.V2-07	Gear Ring
9	CP3001.V2-25	Thin Washer Black
10	CP3001.V2-10	Motor Assy (Internal)
11	CP3002/12	Forward/Reverse Rod
12	CP3002/13	Switch

Item	Part No.	Description
13	CP3004.21N	Battery Connector Assembly
14	CP3002/15	Soft Grip (Front)
15	CP3002/16	Soft Grip
16	CP3001.V2-16	Belt 190x11x1.5
17	CP3002/18	Main Housing L+R
18	CP3001.V2-17	RD Head S/T Screw M3.4 x 15 Black
19	CP3001.V2-18	Front Cover Screw
20	CP3002BP	Cordless Power Tool Battery 19.2V
21	CP3001.V2-22	Screw
22	CP3001.V2-23	Side Handle
23	CP3004.30	Charger
--	CP3002/C	Blow Mould Case (Black) (NOT SHOWN)

**NOTE:** It is our policy to continually improve products and as such we reserve the right to alter data, specifications and component parts without prior notice.

**IMPORTANT:** No liability is accepted for incorrect use of product.

**WARRANTY:** Guarantee is 12 months from purchase date, proof of which will be required for any claim.

**Sealey Group**, Kempson Way, Suffolk Business Park, Bury St Edmunds, Suffolk. IP32 7AR



01284 757500



01284 703534



sales@sealey.co.uk



www.sealey.co.uk