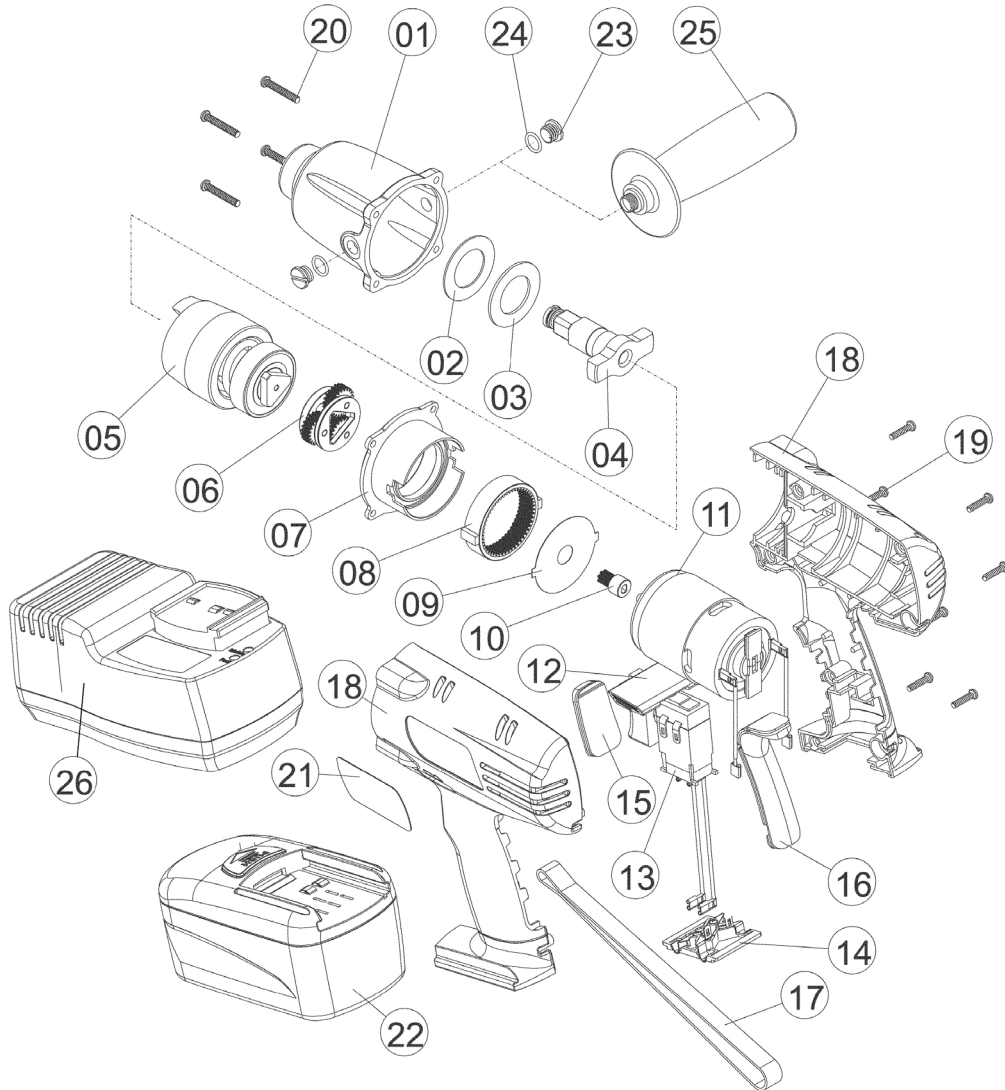




Parts Information:
**Cordless Impact Wrench 19.2V Super
 Torque 285lb.ft
 Model No: CP3002**



Item	Part No.	Description
1	CP3002/01	Front Cover Ass'y
2	CP3001.V2-02	Rubber Washer
3	CP3001.V2-03	Washer A
4	CP3001.V2-04	Front Impact Assy
5	CP3002/05	Rear Impact Ass'y
6	CP3002/06	Planetary Gears
7	CP3001.V2-06	Gear Ring Holder
8	CP3001.V2-07	Gear Ring
9	CP3001.V2-25	Thin Washer Black
10	CP3002/10	Pinion
11	CP3001.V2-10	Motor Assy (Internal)
12	CP3002/12	Forward/Reverse Rod
13	CP3002/13	Switch
14	CP3004.21N	Battery Connector Assembly

Item	Part No.	Description
15	CP3002/15	Soft Grip (Front)
16	CP3002/16	Soft Grip
17	CP3001.V2-16	Belt 190x11x1.5
18	CP3002/18	Main Housing L+R
19	CP3001.V2-17	RD Head S/T Screw M3.4 x 15 Black
20	CP3001.V2-18	Front Cover Screw
21	CP3002/21	Label
22	CP3002BP	Cordless Power Tool Battery 19.2V
23	CP3001.V2-22	Screw
24	CP3002/24	O-Ring
25	CP3001.V2-23	Side Handle
--	CP3002.V2-18	Case For New Style Pinion (NOT SHOWN)

NOTE: It is our policy to continually improve products and as such we reserve the right to alter data, specifications and component parts without prior notice.

IMPORTANT: No liability is accepted for incorrect use of product.

WARRANTY: Guarantee is 12 months from purchase date, proof of which will be required for any claim.

Sealey Group, Kempson Way, Suffolk Business Park, Bury St Edmunds, Suffolk. IP32 7AR



01284 757500



01284 703534



sales@sealey.co.uk



www.sealey.co.uk