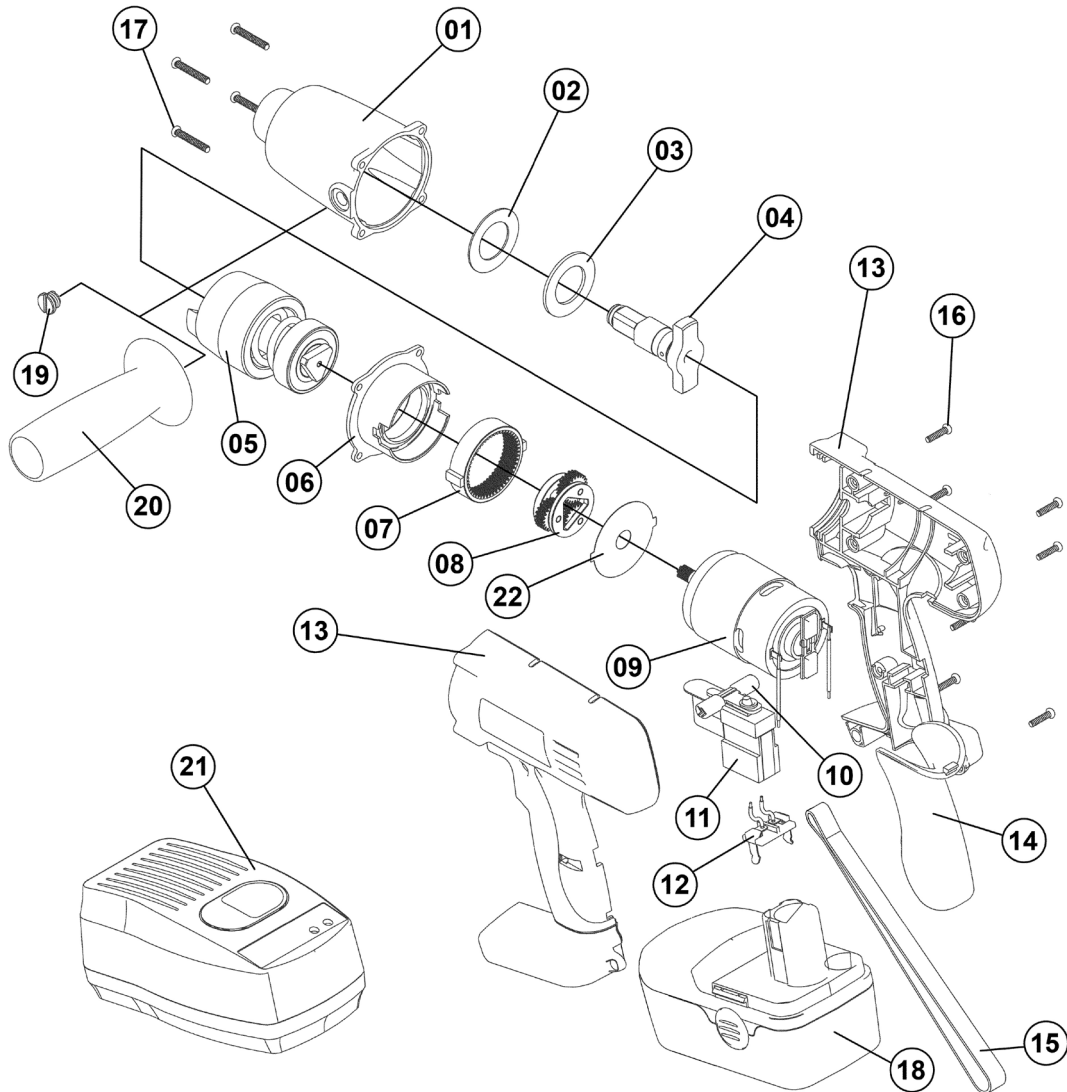




Parts Information:
**Cordless Impact Wrench 19.2V 1/2" Sq Drive
 Super Torque 285lb.ft
 Model No: CP3001.V2**



Item	Part No.	Description
1	CP3001.V2-01	Front Cover Assy
2	CP3001.V2-02	Rubber Washer
3	CP3001.V2-03	Washer A
4	CP3001.V2-04	Front Impact Assy
5	CP3001.V2-05	Rear Impact Assy
6	CP3001.V2-06	Gear Ring Holder
7	CP3001.V2-07	Gear Ring
8	CP3001.V2-08	Planetary Gears
--	CP3001.V2-09	Pinion (NOT SHOWN)
9	CP3001.V2-10	Motor Assy (Internal)
10	CP3001.V2-11	Forward Reverse Rod
11	CP3001.V2-12	Switch
12	CP3001.V2-13	Battery Connector Ass'y
13	CP3001.V2-14	Main Housing L&R

Item	Part No.	Description
14	CP3001.V2-15	Soft Grip
15	CP3001.V2-16	Belt 190x11x1.5
16	CP3001.V2-17	RD Head S/T Screw M3.4 x 15 Black
17	CP3001.V2-18	Front Cover Screw
--	CP3001.V2-20	Label Left (NOT SHOWN)
--	CP3001.V2-21	Label Right (NOT SHOWN)
18	CP3003BP	Cordless Power Tool Battery 19.2V
19	CP3001.V2-22	Screw
20	CP3001.V2-23	Side Handle
21	CP3003CP	Mains Charger
22	CP3001.V2-25	Thin Washer Black
--	CP3001/C-IV	In-Vehicle Charger (NOT SHOWN)
--	CP3001.V2-26	Description Label (NOT SHOWN)
--	CP3001.V2-27	Spec Label (NOT SHOWN)

NOTE: It is our policy to continually improve products and as such we reserve the right to alter data, specifications and component parts without prior notice.

IMPORTANT: No liability is accepted for incorrect use of product.

WARRANTY: Guarantee is 12 months from purchase date, proof of which will be required for any claim.

Sealey Group, Kempson Way, Suffolk Business Park, Bury St Edmunds, Suffolk. IP32 7AR



01284 757500



01284 703534



sales@sealey.co.uk



www.sealey.co.uk