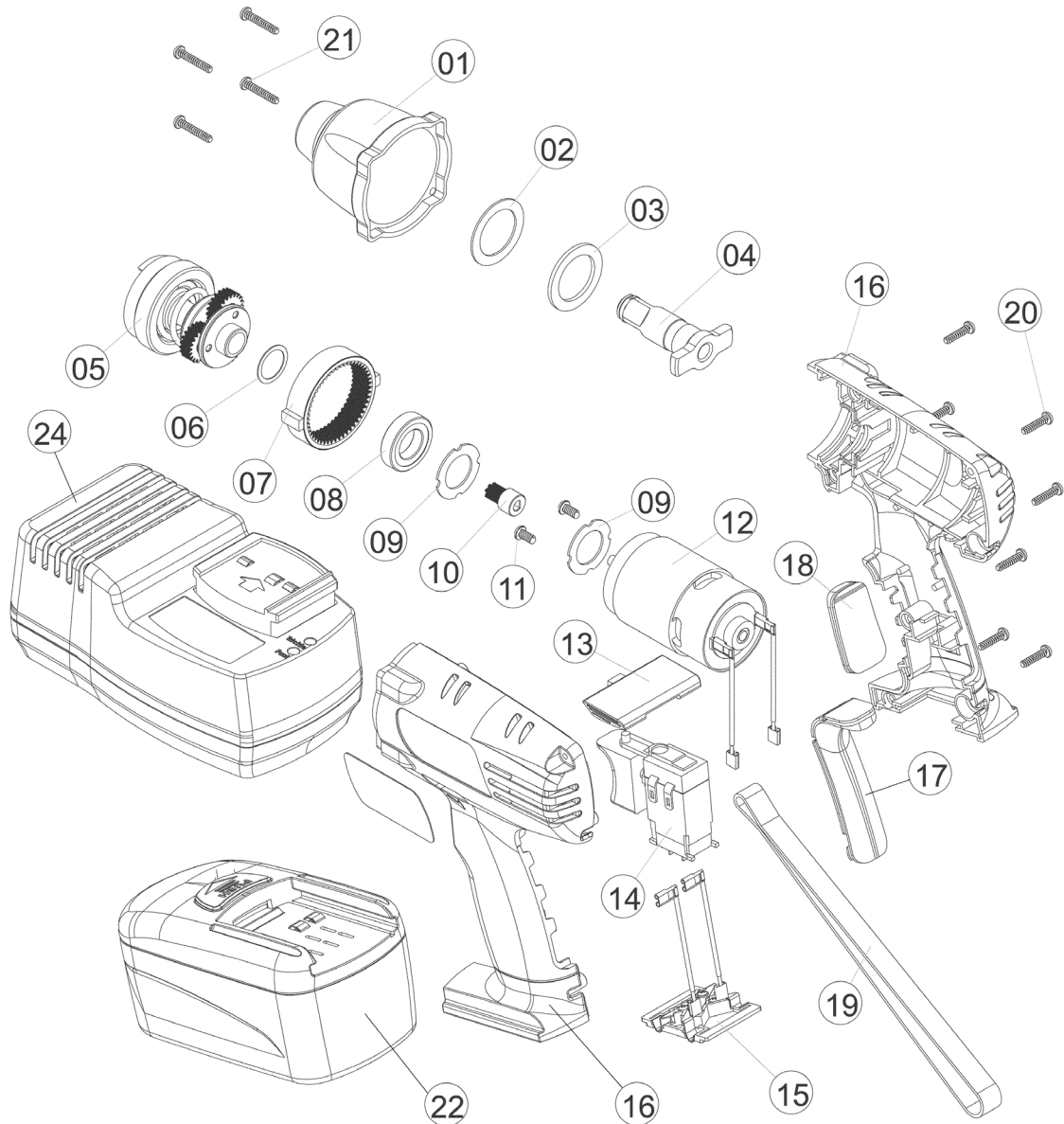




Parts Information:
Cordless Impact Wrench 19.2V 1/2" Sq Drive
190lb.ft
Model No: CP1502



Item	Part No.	Description
1	CP1502.01	Front Cover Ass'y
2	CP1502.02	Rubber Washer
3	CP1502.03	Washer
4	CP1502.04	Front Impact Ass'y
5	CP1502.05	Rear Impact Ass'y
6	CP1502.06	Washer
7	CP1502.07	Gear Ring
8	B/6902-2RS	Bearing 6902-2RS
9	CP1502.09	Washer
10	CP3002/10	Pinion
11	CP1502.11	Screw
12	CP1502.12	Motor Ass'y

Item	Part No.	Description
13	CP3002/12	Forward/Reverse Rod
14	CP3002/13	Switch
15	CP1502.15	Battery Connector Ass'y
16	CP1502.16	Main Housing, Left & Right
17	CP1502.17	Back Soft Grip
18	CP1502.18	Front Soft Grip
19	CP1502.19	Hand Strap
20	CP1502.20	Housing Screws
21	CP1502.21	RD Head S/T Screws M3.2 x 20 Black
22	CP3002BP	Cordless Power Tool Battery 19.2V
24	CP3004.30	Charger

NOTE: It is our policy to continually improve products and as such we reserve the right to alter data, specifications and component parts without prior notice.

IMPORTANT: No liability is accepted for incorrect use of product.

WARRANTY: Guarantee is 12 months from purchase date, proof of which will be required for any claim.

Sealey Group, Kempson Way, Suffolk Business Park, Bury St Edmunds, Suffolk. IP32 7AR



01284 757500



01284 703534



sales@sealey.co.uk



www.sealey.co.uk