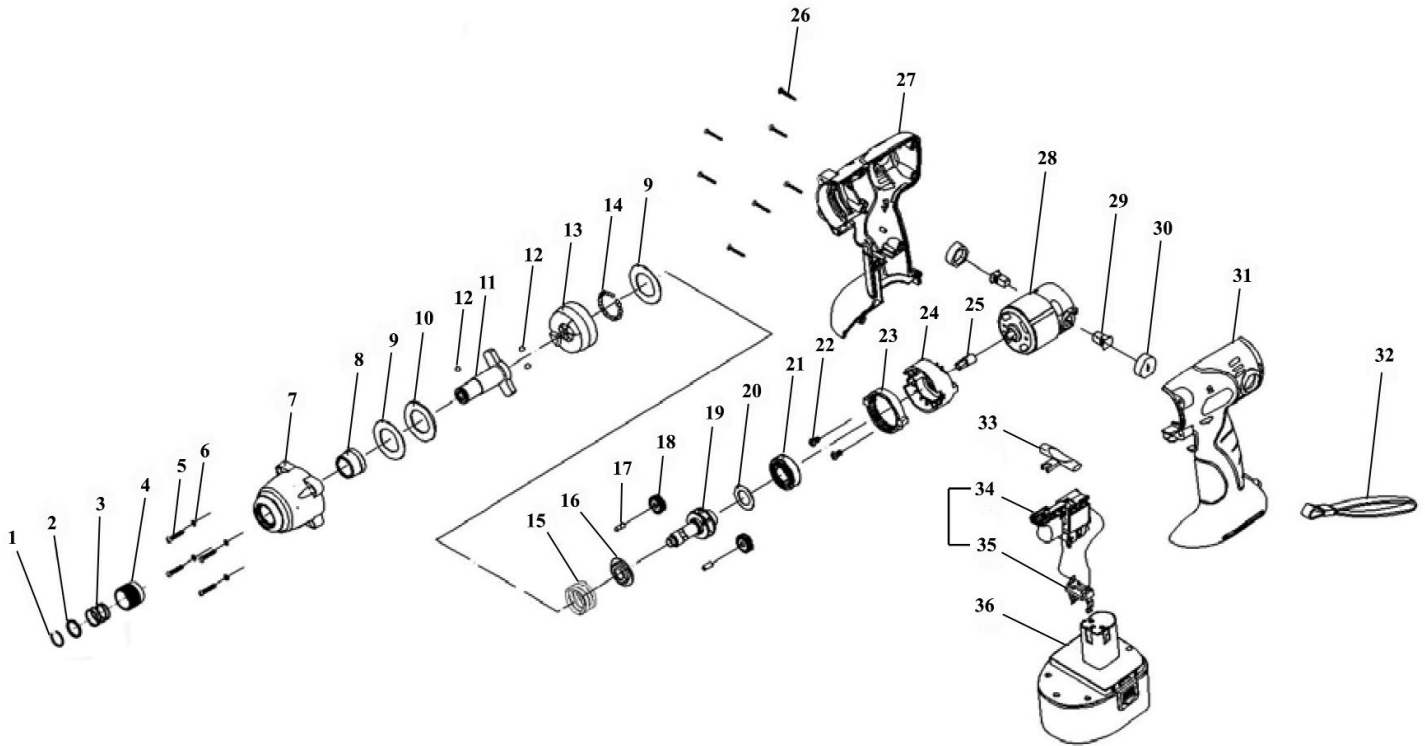




Parts Information:
Cordless Impact Driver 14.4V 1hr Charge 2 Batteries
Model No: CP1441



Item	Part No.	Description
1	CP1441.01	RING
2	CP1441.02	GASKET
3	CP1441.03	SPRING
4	CP1441.04	LOCK SLEEVE
5	CP1441.05	SCREW M4x20 S/TAPER FOR PLASTIC
6	CP1441.06	LOCKWASHER
7	CP1441.07	FRONT CASING AND BUSHING
8	CP1441.07	FRONT CASING AND BUSHING
9	CP1441.09	RUBBER GASKET
10	CP1441.10	GASKET
11	CP1441.11	FRONT IMPACT ASS'Y
12	SB-3.2	STEEL BALL 3.2mm
	SB-5.6	STEEL BALL 5.6mm
13	CP1441.13	IMPACT BLOCK
14	SB-2.9	STEEL BALL 2.9mm
15	CP1441.15	SPRING
16	CP1441.16	GASKET
17	CP1441.17	GEAR SHAFT
18	CP1441.18	PLANETARY GEAR
19	CP1441.19	SPINDLE
20	CP1441.20	GASKET

Item	Part No.	Description
21	B/6002Z	BEARING 6002Z
22	CP1441.22	SCREW M4x10
23	CP1441.23	PLANETARY BRACKET
24	CP1441.24	GEAR CASE
25	CP1441.25	MOTOR GEAR
26	CP1441.26	RD HEAD S/T SCREW M3X16 BLACK
27	CP1441.27	HOUSING (RIGHT)
28	CP1441.28	MOTOR
29	CP1441.29	CARBON BRUSH (SINGLE)
30	CP1441.30	CARBON BRUSH COVER
31	CP1441.31	HOUSING (LEFT)
32	CP1441.32	HAND STRAP
33	CP1441.33	FORWARD/REVERSE SWITCH
34	CP1441.34	SWITCH & BATTERY CONNECTOR (PARTS 34 & 3)
35	CP1441.34	SWITCH & BATTERY CONNECTOR (PARTS 34 & 3)
36	CP1441BP	CORDLESS POWER TOOL BATTERY 14.4V FOR CP
--	CP1441.37	BATTERY CHARGER (NOT SHOWN)
--	CP1441.38	BLOW MOULD CASE (NOT SHOWN)

NOTE: It is our policy to continually improve products and as such we reserve the right to alter data, specifications and component parts without prior notice.

IMPORTANT: No liability is accepted for incorrect use of product.

WARRANTY: Guarantee is 12 months from purchase date, proof of which will be required for any claim.

Sealey Group, Kempson Way, Suffolk Business Park, Bury St Edmunds, Suffolk. IP32 7AR



01284 757500



01284 703534



sales@sealey.co.uk



www.sealey.co.uk