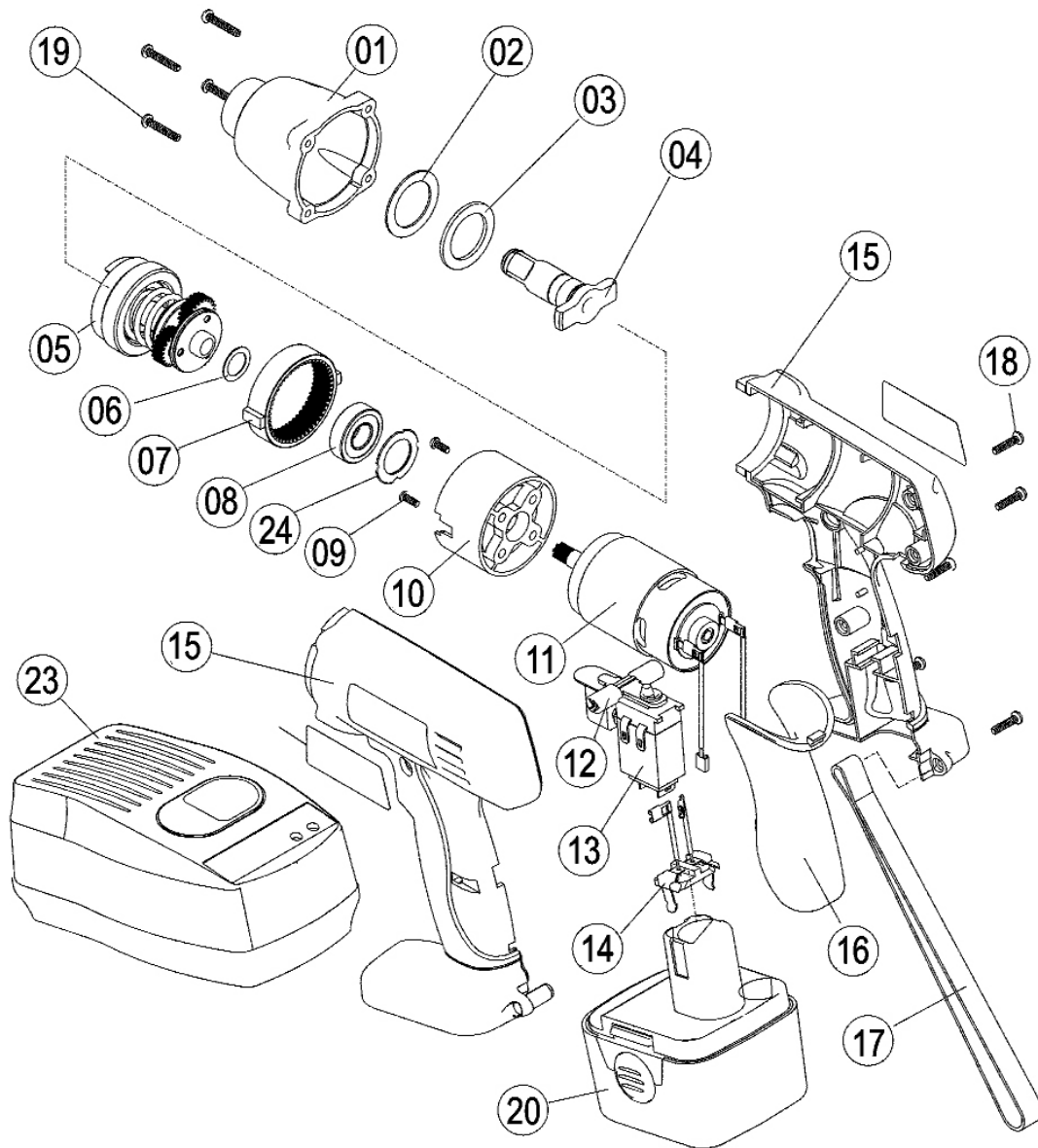




Parts Information:
**Cordless Impact Wrench 12V 3/8" Sq Drive
 98lb.ft
 Model No: CP1211.V3**



Item	Part No.	Description
1	CP1211.V2-01	Front Cover Ass'y
2	CP1211.V2-02	Rubber Washer
3	CP1211.V2-03	Washer
4	CP1211.V2-04	Front Impact Ass'y
5	CP1211.V2-05	Rear Impact Ass'y
6	CP1211.V2-06	Washer
7	CP3001.V2-07	Gear Ring
8	B/6001ZZ	Bearing 6001ZZ
9	CP1211.V2-09	Screw
10	CP1211.V2-10	Gear Ring Holder
11	CP1211.V3-11	Motor Ass'y
12	CP3001.V2-11	Forward Reverse Rod

Item	Part No.	Description
13	CP1211.V2-14	Switch
14	CP3001.V2-13	Battery Connector Ass'y
15	CP1211.V2-16	Main Housing L&R
16	CP3001.V2-15	Soft Grip
17	CP3001.V2-16	Belt 190x11x1.5
18	CP1211.V2-19	Housing Screw
19	CP1211.V2-20	Front Cover Screw
20	CP1211BP	Cordless Battery Pack 12V
23	CP1211.V2-24	Charger
24	CP1211.V3-24	Washer
--	CP3001.V2-09	Pinion (NOT SHOWN)

NOTE: It is our policy to continually improve products and as such we reserve the right to alter data, specifications and component parts without prior notice.

IMPORTANT: No liability is accepted for incorrect use of product.

WARRANTY: Guarantee is 12 months from purchase date, proof of which will be required for any claim.

Sealey Group, Kempson Way, Suffolk Business Park, Bury St Edmunds, Suffolk. IP32 7AR



01284 757500



01284 703534



sales@sealey.co.uk



www.sealey.co.uk