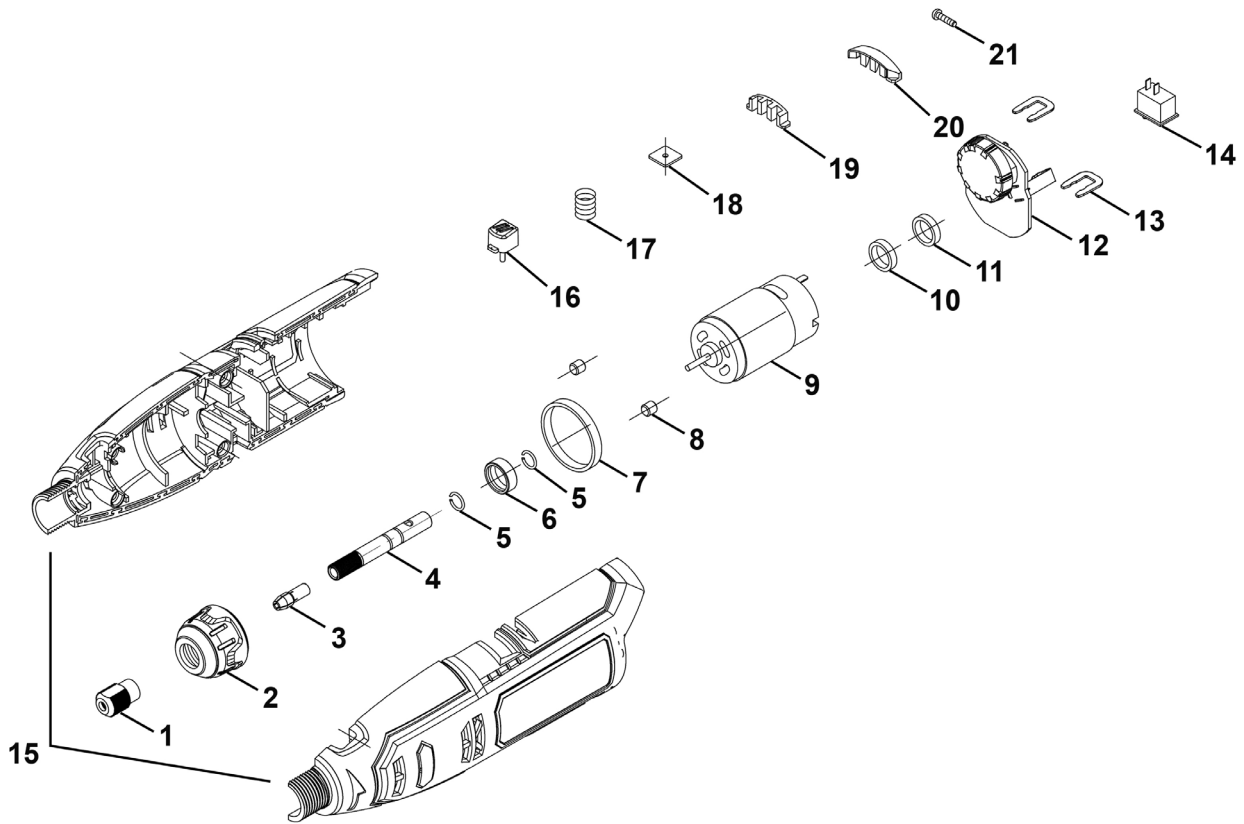




Parts Information:  
**Multipurpose Mini Grinder & 50pc  
 Accessory Kit 10.8V - Body Only**  
**Model No: CP108VMGBO**



Item	Part No.	Description
1	CP108VMGBO.01	Collet Nut
2	CP108VMGBO.02	Front Cover
3	CP108VMGBO.03	Collet
4	CP108VMGBO.04	Output Shaft
5	CP108VMGBO.05	C-Clip
6	CP108VMGBO.06	Bearing
7	CP108VMGBO.07	Damping Ring
8	CP108VMGBO.08	Damping Block
9	CP108VMGBO.09	Motor
10	CP108VMGBO.10	Damping Ring
11	CP108VMGBO.11	Magnetic Ring

Item	Part No.	Description
12	CP108VMGBO.12	PCB
13	CP108VMGBO.13	Terminal Clip
14	CP108VMGBO.14	Switch
15	CP108VMGBO.15	Complete Housing
16	CP108VMGBO.16	Switch Button
17	CP108VMGBO.17	Switch Spring
18	CP108VMGBO.18	Lock Button
19	CP108VMGBO.19	Indicator Holder
20	CP108VMGBO.20	Indicator Holder Cover
21	CP108VMGBO.21	Screw
--	CP108VMGBO.ACC	50pcs Accessory Kit ( <b>not shown</b> )

**NOTE:** It is our policy to continually improve products and as such we reserve the right to alter data, specifications and component parts without prior notice. There may be alternative versions of this product, please contact us should you require this information.

**IMPORTANT:** No liability is accepted for incorrect use of product. Spare parts must be fitted by a competent person

**WARRANTY:** Guarantee is 12 months from purchase date, proof of which will be required for any claim.

**Sealey Group**, Kempson Way, Suffolk Business Park, Bury St Edmunds, Suffolk. IP32 7AR



01284 757500



01284 703534



sales@sealey.co.uk



www.sealey.co.uk