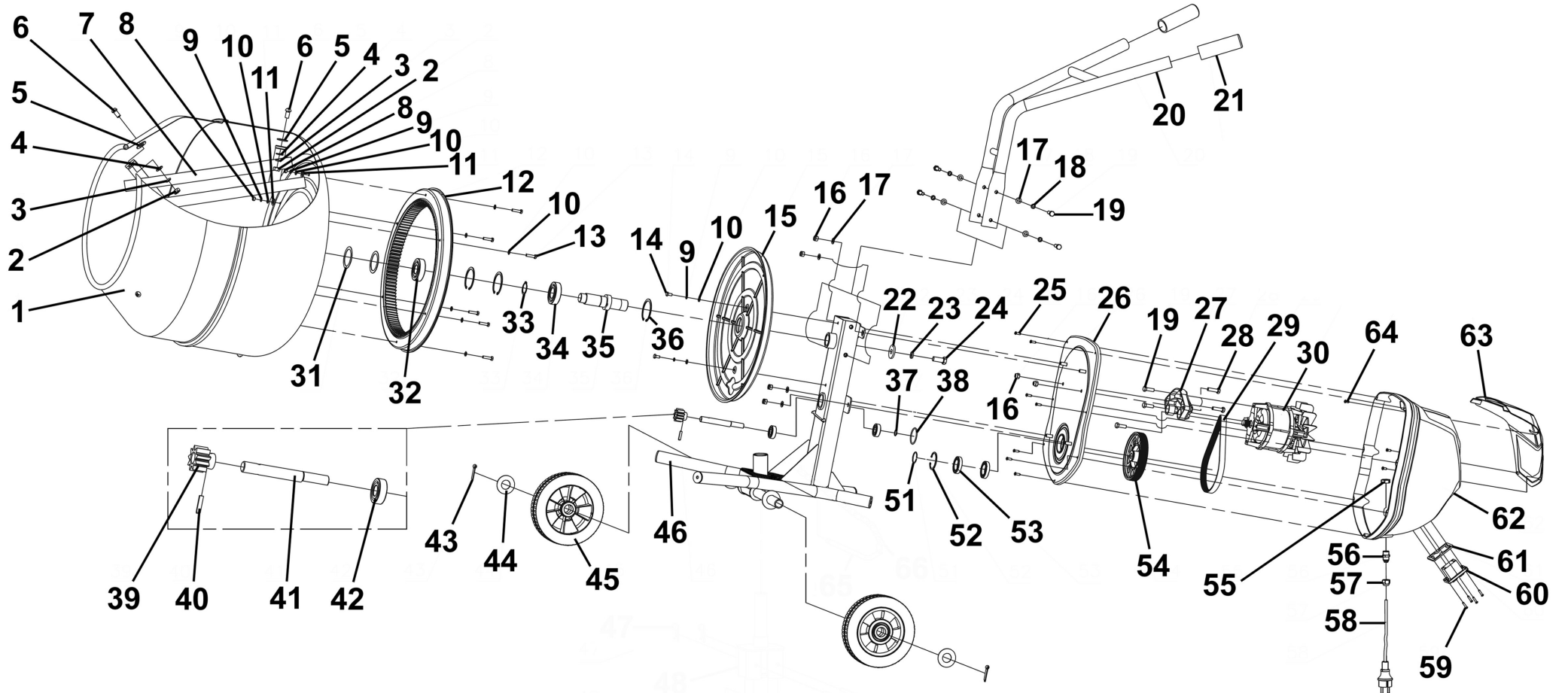




Parts Information:  
650W Cement Mixer with Stand 160L  
Model No: CMX160



**NOTE:** It is our policy to continually improve products and as such we reserve the right to alter data, specifications and component parts without prior notice.

There may be alternative versions of this product, please contact us should you require this information.

**IMPORTANT:** No liability is accepted for incorrect use of product. Spare parts must be fitted by a competent person

**WARRANTY:** Guarantee is 12 months from purchase date, proof of which will be required for any claim.

Sealey Group, Kempson Way, Suffolk Business Park, Bury St Edmunds, Suffolk. IP32 7AR



01284 757500



sales@sealey.co.uk



www.sealey.co.uk



Parts Information:  
**650W Cement Mixer with Stand 160L**  
**Model No: CMX160**

Item	Part No.	Description	Qty
1	CMX160-01	Drum 160L (for CMX160 only)	1
2	SN10.S	Steel Nut M10 Zinc	4
3	SWM10.S	Spring Washer M10 Zinc	4
4	FWM10.S	Flat Washer M10 Zinc	4
5	CMX135-05	Leather Washer Ø10	4
6	BHSS1025.S	Button Head Socket Screw M10 X 25 Zinc	4
7	CMX160-07	Mixing Blade (for CMX160 only)	2
8	SN6.S	Steel Nut M6 Zinc	6
9	SWM6.S	Spring Washer M6 Zinc	8
10	FWM6.S	Flat Washer M6 Zinc	14
11	CMX135-11	Leather Washer Ø6	6
12	CMX135-12	Cogwheel (Large)	1
13	SS625.S	Hex Head Set Screw M6 X 25 Zinc	6
14	SS620.S	Hex Head Set Screw M6 X 20 Zinc	2
15	CMX135-15	Plastic Rotator	1
16	NLN8.S	Nyloc Nut M8 Zinc	6
17	FWM8.S	Flat Washer M8 Zinc	8
18	SWM8.S	Spring Washer M8 Zinc	4
19	SS825.S	Hex Head Set Screw M8 X 25 Zinc	7
20	CMX135-20	Handle	1
21	CMX135-21	Handle Grip Ø32	2
22	FWM12.S	Flat Washer M12 Zinc	1
23	SWM12.S	Spring Washer M12 Zinc	1
24	SS1230.S	Hex Head Set Screw M12 X 30 Zinc	1
25	CMX135-25	Self-Tapping Screw ST4.2x16	7
26	CMX135-26	Motor End Plate	1
27	CMX135-27	Motor Seat	1
28	SS830.S	Hex Head Set Screw M8 X 30 Zinc	2
29	CMX135-29	Toothed Belt (6PJ-L540)	1
30	CMX160-30	Motor (for CMX160 only)	1

Item	Part No.	Description	Qty
31	CMX135-31	Adjusting Washer	2
32	CMX135-32	Bearing 6305-2RS	1
33	CMX135-33	External Circlip Ø30	1
34	CMX135-34	Bearing 6206-2RS	1
35	CMX135-35	Drum Rotating Shaft	1
36	CMX135-36	Internal Circlip Ø62	3
37	CMX135-37	External Circlip Ø15	1
38	CMX135-38	O-Ring (41.5 x 2.65)	1
39	CMX135-39	Drive Pinion	1
40	CMX135-40	Pin 6 x 25	1
41	CMX135-41	Drive Pinion Shaft	1
42	B/6202-2RS	Bearing 6202-2rs	2
43	CMX135-43	Split Pin Ø5 x 40	2
44	CMX135-44	Flat Washer	2
45	CMX160-45	Fixed Wheel (for CMX160 only)	2
46	CMX160-46	Frame (for CMX160 only)	1
51	CMX135-51	Wire Snap Ring for Shaft	1
52	CMX135-52	Internal Circlip	1
53	CMX135-53	Bearing 61906-2RS	2
54	CMX135-54	Pulley (Large)	1
55	CMX135-55	Strain Relief Nut	1
56	CMX135-56	Strain Relief Bolt	1
57	CMX135-57	Strain Relief Locknut	1
58	CMX135-58	Plug	1
59	CMX135-59	Self-Tapping Screw ST3.5x16	4
60	CMX135-60	Switch (On/Off)	1
61	CMX135-61	Switch Gasket (Rubber)	1
62	CMX135-62	Motor Cover	1
63	CMX135-63	Decorative Cover	1
64	CMX135-64	Self-Tapping Screw ST4.2x13	3

**NOTE:** It is our policy to continually improve products and as such we reserve the right to alter data, specifications and component parts without prior notice. There may be alternative versions of this product, please contact us should you require this information.

**IMPORTANT:** No liability is accepted for incorrect use of product. Spare parts must be fitted by a competent person

**WARRANTY:** Guarantee is 12 months from purchase date, proof of which will be required for any claim.

Sealey Group, Kempson Way, Suffolk Business Park, Bury St Edmunds, Suffolk. IP32 7AR



01284 757500



sales@sealey.co.uk



www.sealey.co.uk