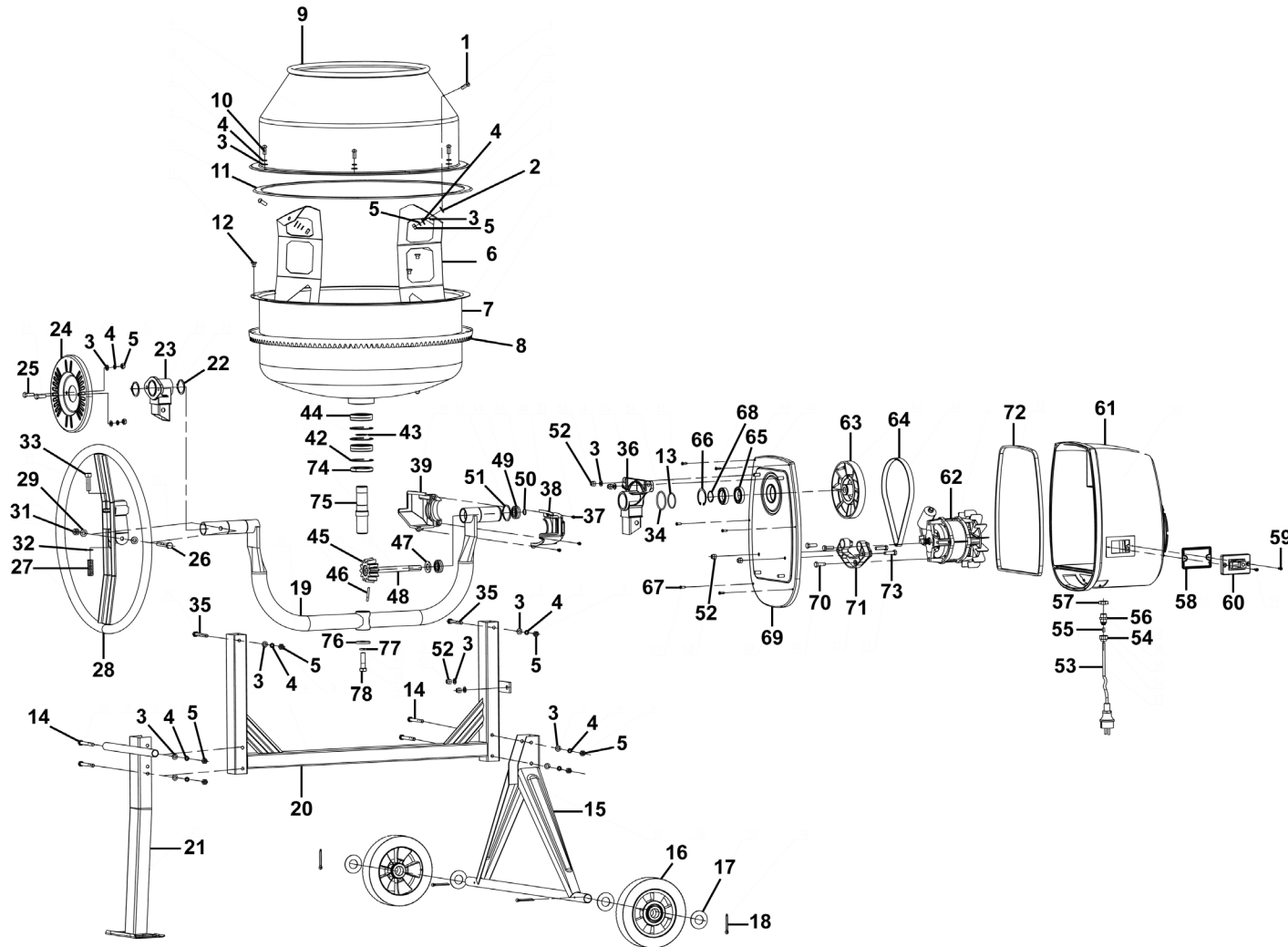




Parts Information:  
**550W Cement Mixer 125L**  
**Model No: CMX125**



**NOTE:** It is our policy to continually improve products and as such we reserve the right to alter data, specifications and component parts without prior notice.

There may be alternative versions of this product, please contact us should you require this information.

**IMPORTANT:** No liability is accepted for incorrect use of product. Spare parts must be fitted by a competent person

**WARRANTY:** Guarantee is 12 months from purchase date, proof of which will be required for any claim.

Sealey Group, Kempson Way, Suffolk Business Park, Bury St Edmunds, Suffolk. IP32 7AR



01284 757500



sales@sealey.co.uk



www.sealey.co.uk



Parts Information:  
**550W Cement Mixer 125L**  
**Model No: CMX125**

Item	Part No.	Description	Qty
1	CMX125-01	Cross Head Screw M8 x 20	4
2	CMX125-02	Waterproof Washer	4
3	FWM8.S	Flat Washer M8 Zinc	22
4	SWM8.S	Spring Washer M8 Zinc	18
5	SN8.S	Steel Nut M8 Zinc	12
6	CMX125-06	Mixing Blade (for CMX125 only)	2
7	CMX125-07	Lower Drum	1
8	CMX125-08	Cogwheel (Large)	1
9	CMX125-09	Upper Drum	1
10	CMX125-10	Cross Head Screw M8 x 16	6
11	CMX125-11	Rubber Gasket	1
12	MSC815.S	Csk Phillips Machine Screw M8 X 15 Zinc	3
13	CMX125-13	C-Clip Ø42	1
14	HHB870.S	Hex Head Bolt M8 x 70mm	4
15	CMX125-15	Axle Bracket	1
16	CMX125-16	Fixed Wheel	2
17	CMX125-17	Flat Washer	4
18	CMX135-43	Split Pin Ø5 x 40	4
19	CMX125-19	Support Arm	1
20	CMX125-20	Frame	1
21	CMX125-21	Support Leg	1
22	CMX125-22	External Circlip Ø38	2
23	CMX125-23	Bearing Block (Left)	1
24	CMX125-24	Locking Plate	1
25	SS825.S	Hex Head Set Screw M8 X 25 Zinc	2
26	SS865.S	Hex Head Set Screw M8 x 65	1
27	CMX125-27	Spring	1
28	CMX125-28	Tipping Wheel	1
29	FWM10.S	Flat Washer M10 Zinc	2
31	SN10.S	Steel Nut M10 Zinc	1
32	FWM8.S	Flat Washer M8 Zinc	1
33	SCB1030.S	Socket Cap Bolt M10 x 30	1
34	CMX125-34	O-Ring	1
35	SS865.S	Hex Head Set Screw M8 x 65	2
36	CMX125-36	Bearing Block (Right)	1
37	CMX125-37	Bolt 4.2 x 12	3
38	CMX125-38	Gear Guard (A)	1
39	CMX125-39	Gear Guard (B)	1

Item	Part No.	Description	Qty
42	CMX125-42	Internal Circlip Ø62	3
43	CMX135-33	External Circlip Ø30	1
44	B/6206	Bearing 6206	2
45	CMX125-45	Drive Pinion	1
46	CMX125-46	Lock Pin 6 x 45	1
47	CMX125-47	Sleeve	1
48	CMX125-48	Drive Shaft	1
49	B/6202-2RS	Bearing 6202-2rs	2
50	CMX135-37	External Circlip Ø15	1
51	CMX125-51	External Circlip Ø42	1
52	NLN8.S	Nyloc Nut M8 Zinc	4
53	CMX125-53	Power Cord	1
54	CMX125-54	Strain Relief Nut	1
55	CMX125-55	Strain Relief Rubber Seal	1
56	CMX125-56	Strain Relief Bolt	1
57	CMX125-57	Strain Relief Nut	1
58	CMX125-58	Switch Gasket	1
59	CMX125-59	Self-Tapping Screw ST3.5 x 16	2
60	CMX125-60	Switch (On/Off)	1
61	CMX125-61	Motor Cover	1
62	CMX125-62	Motor (for CMX125 only)	1
63	CMX125-63	Idle Pulley	1
64	CMX125-64	Toothed Belt	1
65	CMX135-53	Bearing 61906-2RS	2
66	CMX125-66	Internal Circlip Ø47	1
67	CMX125-67	Self-Tapping Screw ST4.2 x 16	6
68	CMX125-68	External Circlip Ø30	1
69	CMX125-69	End Plate	1
70	SS825.S	Hex Head Set Screw M8 X 25 Zinc	3
71	CMX125-71	Motor Mount Bracket End Plate	1
72	CMX125-72	Gasket Seal	1
73	SS830.S	Hex Head Set Screw M8 X 30 Zinc	2
74	CMX125-74	Oil Seal	1
75	CMX125-75	Fixed Shaft	1
76	FWM12.S	Flat Washer M12 Zinc	1
77	SWM12.S	Spring Washer M12 Zinc	1
78	SS1225.S	Hex Head Set Screw M12 X 25 Zinc	1

**NOTE:** It is our policy to continually improve products and as such we reserve the right to alter data, specifications and component parts without prior notice. There may be alternative versions of this product, please contact us should you require this information.

**IMPORTANT:** No liability is accepted for incorrect use of product. Spare parts must be fitted by a competent person

**WARRANTY:** Guarantee is 12 months from purchase date, proof of which will be required for any claim.

Sealey Group, Kempson Way, Suffolk Business Park, Bury St Edmunds, Suffolk. IP32 7AR



01284 757500



sales@sealey.co.uk



www.sealey.co.uk