



Sealey Group,
Bury St.Edmunds,
Suffolk.



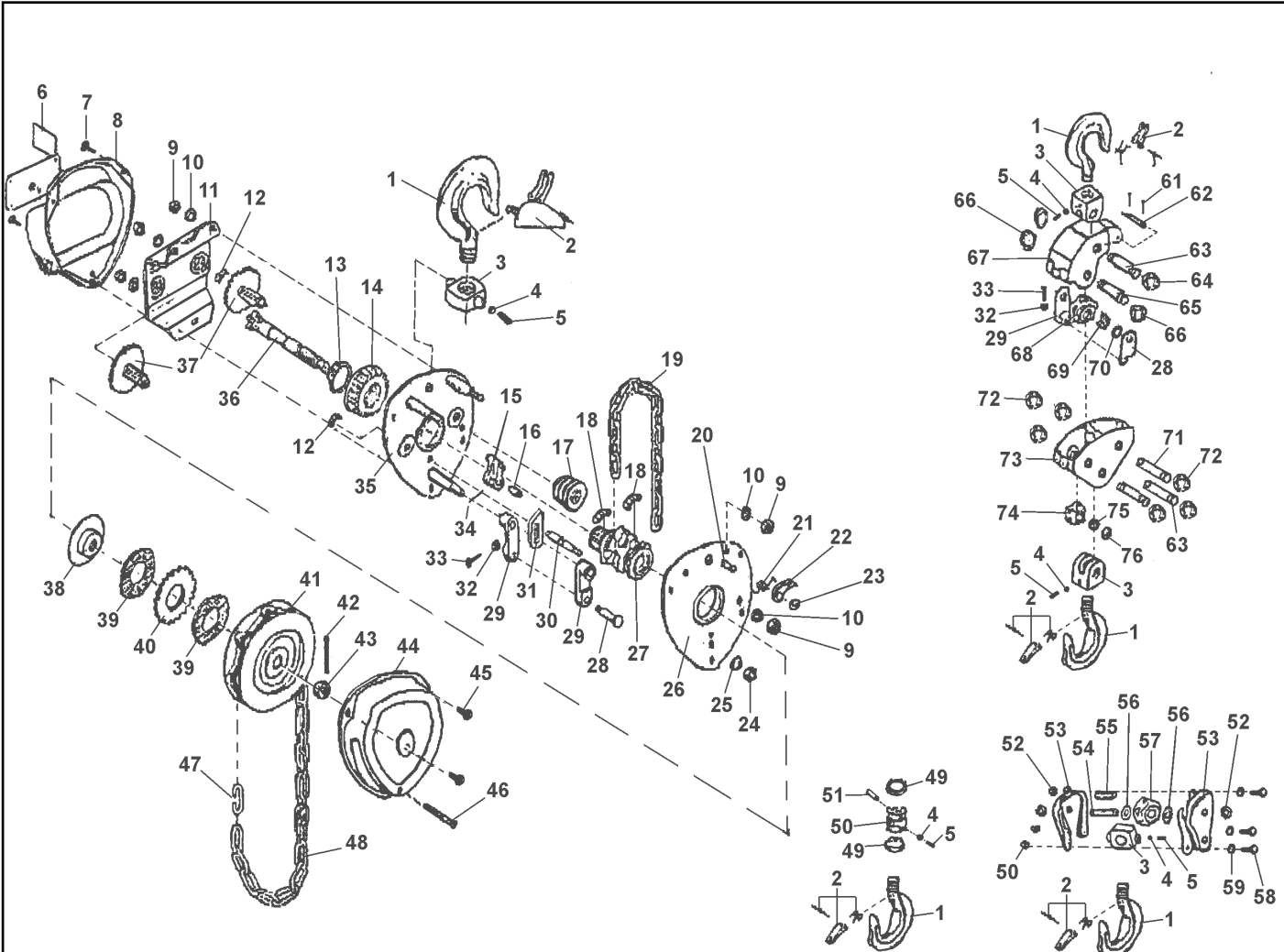
01284 757500



01284 703534

E-mail: sales@sealey.co.uk

Parts List for: CHAIN BLOCK Model Nos CBE500 & CBE1000



Item	Part	Description
1	01	Hook
2	02	Safety Latch Ass'y
3	03	Hook Holder
4	04	Steel Ball
5	05	Screw
6	06	Name Plate Ass'y
7	07	Cover Screw
8	08	Sheet Cover
9	09	Hex nut
10	10	Lockwasher
11	11	Bearing Plate Ass'y
12	12	Roller
13	13	Retaining Ring
14	14	Splined Gear
15	15	Chain Stop Plate
16	16	Chain Stop Plate Pin
17	17	Guide Roller
18	18	Roller
19	19	Load Chain
20	20	Pawl Pin
21	21	Pawl Spring
22	22	Pawl
23	23	Retaining Ring
24	24	Hex Nut
25	25	Lockwasher
26	26	Left Side Plate Ass'y
27	27	Load Chain Sheave Ass'y
28	28	Shoulder Bolt
29	29	Connecting Chain Plate
30	30	Stripper Pin
31	31	Stripper
32	32	Slotted Nut
33	33	Cotter Pin
34	34	Cotter Pin
35	35	Right Side Plate Ass'y
36	36	Driving Pinion
37	37	Disc Gear Ass'y
38	38	Break Seat
39	39	Friction Disc
40	40	Ratchet Disc
41	41	Hand Chain Wheel
42	42	Cotter Pin
43	43	Slotted Nut
44	44	Chain Wheel Cover
45	45	Cover Screw
46	46	Cover Screw
47	47	Connecting Link
48	48	Hand Chain
49	49	Safety retainer
50	50	Hook Hanger
51	51	Hook Hanger Pin
52	52	Retaining Ring
53	53	Hook Hanger
54	54	Idle Shaft
55	55	Needle
56	56	Retainer
57	57	Idle Sleeve
58	58	Bolt
59	59	Lockwasher
60	60	Hex. Nut
61	61	Cotter Pin
62	62	Pin
63	63	Top Hook Holder Pin
64	64	Lockwasher
65	65	Top Idle Shaft
66	66	Lockwasher
67	67	Hook Holder Body
68	68	Toy Idle Sheave
69	69	Needle
70	70	Retainer
71	71	Bottom Idle Shaft
72	72	Lockwasher
73	73	Hook Hanger
74	74	Bottom Idle Sheave
75	75	Needle
76	76	Retainer

Item	Part	Description
58	58	Bolt
59	59	Lockwasher
60	60	Hex. Nut
61	61	Cotter Pin
62	62	Pin
63	63	Top Hook Holder Pin
64	64	Lockwasher
65	65	Top Idle Shaft
66	66	Lockwasher
67	67	Hook Holder Body
68	68	Toy Idle Sheave
69	69	Needle
70	70	Retainer
71	71	Bottom Idle Shaft
72	72	Lockwasher
73	73	Hook Hanger
74	74	Bottom Idle Sheave
75	75	Needle
76	76	Retainer

NOTE:
When ordering part, quote your model number (i.e. CBE500 or CBD1000) and then the part number and description.

Original Date:- 010999
Issue Date:-
Version Nbr:- 0
Date Modified:- N/A