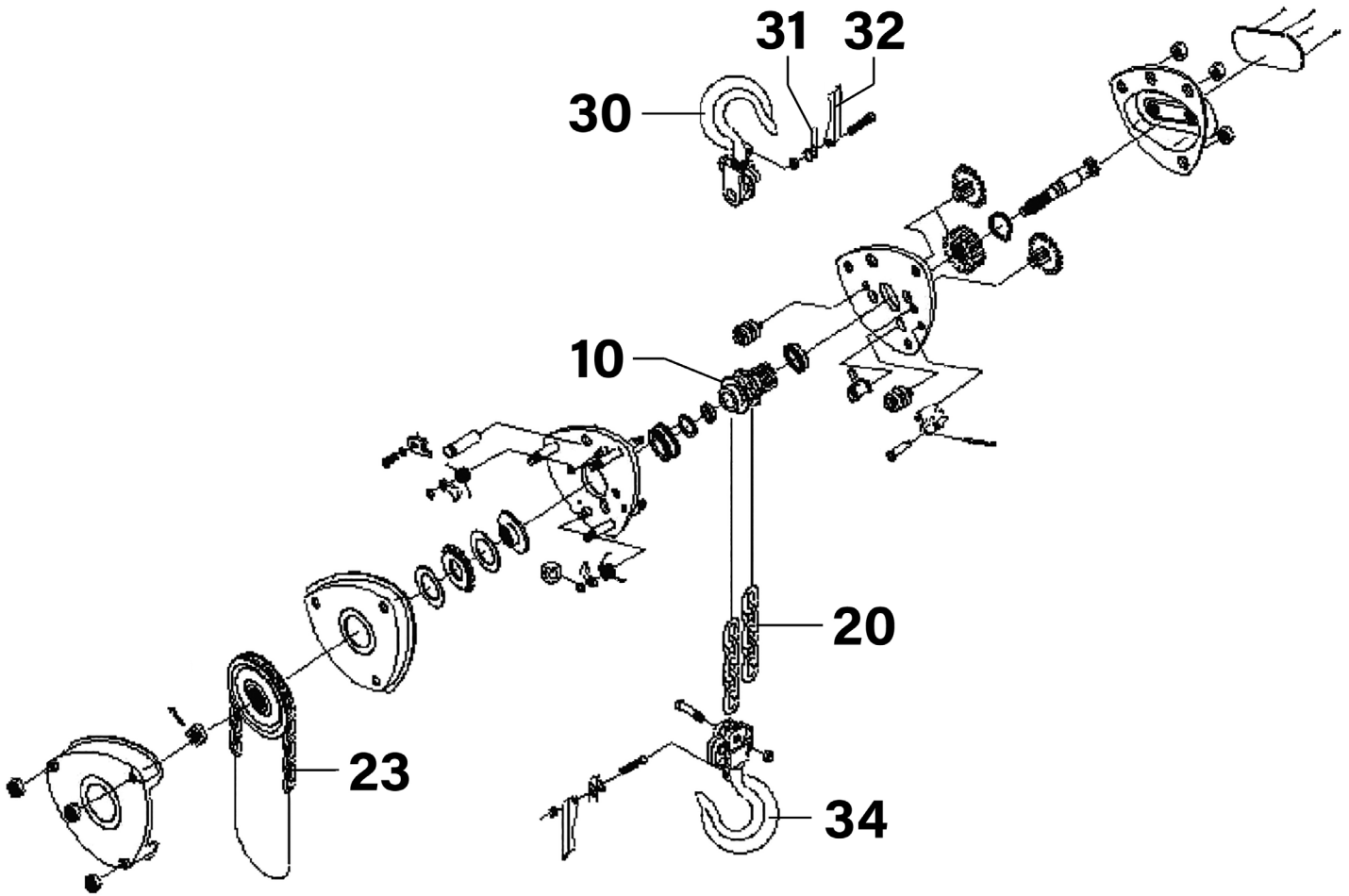


Parts Information:
Chain Block
Model No: CB500.V4, CB1000.V4,
CB2000.V4, CB3000.V4



Item	Part No.	Description
	CB500.V4	Chain Block Assembly
10	CB500-V4-10	Chain Sprocket
20	CB500-V4-20	Load Chain
23	CB500-V4-23	Hand Chain
30	CB500-V4-30	Top Hook Assembly
31	CB500-V4-31	Double Spring
32	CB500-V4-32	Safety Latch
34	CB500-V4-34	Bottom Hook Assembly
	CB1000.V4	Chain Block Assembly
10	CB1000-V4-10	Chain Sprocket
20	CB1000-V4-20	Load Chain
23	CB1000-V4-23	Hand Chain
30	CB1000-V4-30	Top Hook Assembly
31	CB1000-V4-31	Double Spring
32	CB1000-V4-32	Safety Latch
34	CB1000-V4-34	Bottom Hook Assembly

Item	Part No.	Description
	CB2000.V4	Chain Block Assembly
10	CB2000-V4-10	Chain Sprocket
20	CB2000-V4-20	Load Chain
23	CB2000-V4-23	Hand Chain
30	CB2000-V4-30	Top Hook Assembly
31	CB2000-V4-31	Double Spring
32	CB2000-V4-32	Safety Latch
34	CB2000-V4-34	Bottom Hook Assembly
	CB3000.V4	Chain Block Assembly
10	CB3000-V4-10	Chain Sprocket
20	CB3000-V4-20	Load Chain
23	CB3000-V4-23	Hand Chain
30	CB3000-V4-30	Top Hook Assembly
31	CB3000-V4-31	Double Spring
32	CB3000-V4-32	Safety Latch
34	CB3000-V4-34	Bottom Hook Assembly

NOTE: It is our policy to continually improve products and as such we reserve the right to alter data, specifications and component parts without prior notice. There may be alternative versions of this product, please contact us should you require this information.

IMPORTANT: No liability is accepted for incorrect use of product. Spare parts must be fitted by a competent person

WARRANTY: Guarantee is 12 months from purchase date, proof of which will be required for any claim.