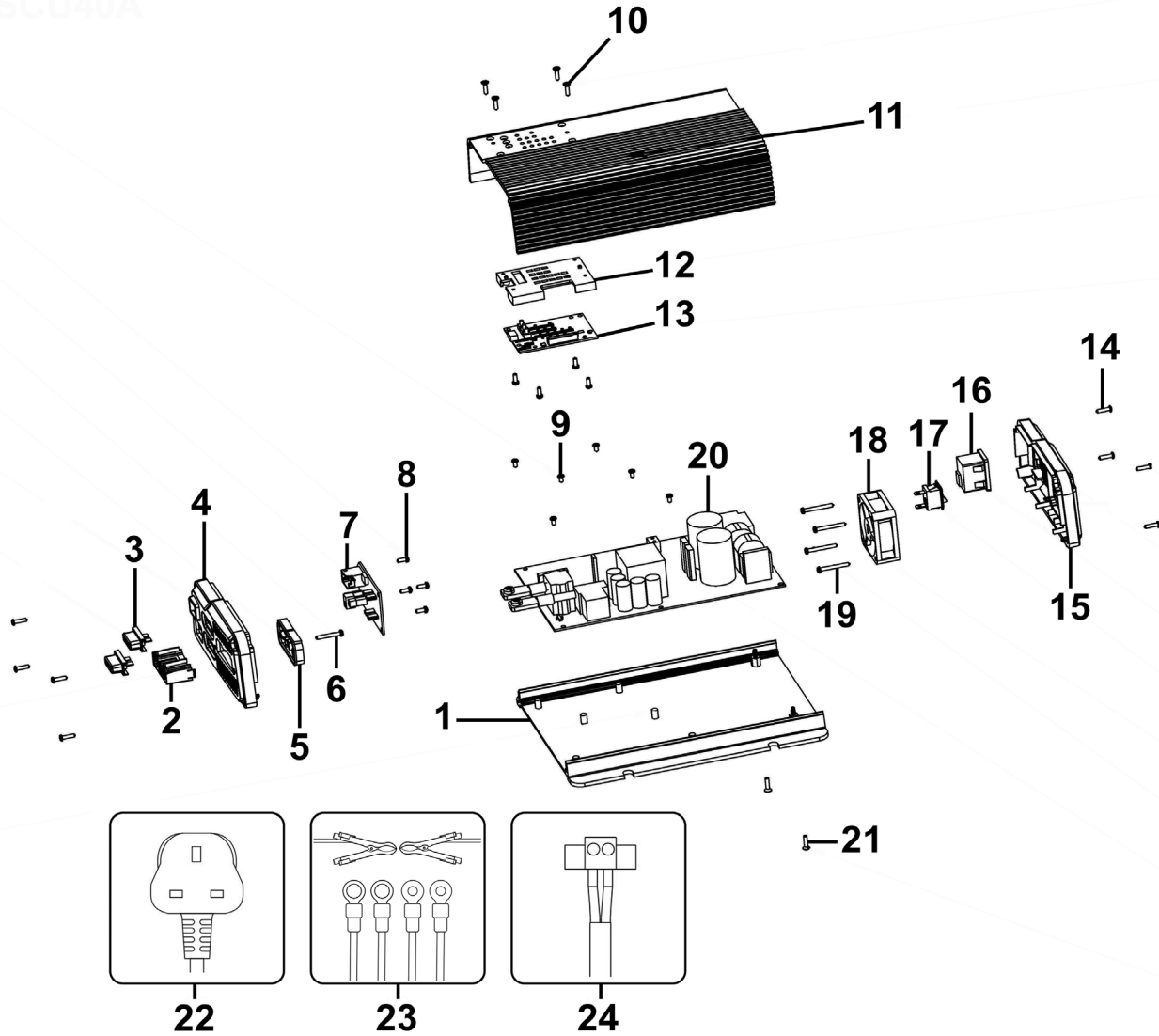




Parts Information:  
**12V Battery Support Unit & Smart Charger/  
 Maintainer 40A**  
**Model No: BSCU40A**

BSCU40A



Item	Part No.	Description
1	BSCU40A-01	Bottom Panel
2	BSCU40A-02	Block for Output Terminals
3	BSCU40A-03	Block for Fuse (Fuse Included)
4	BSCU40A-04	Back Panel
5	BSCU40A-05	Internal Cap for Output Terminals
6	BSCU40A-06	Self-Tapping Screw ST3x20
7	BSCU40A-07	Internal Board for Output Surface
8	BSCU40A-08	Self-Tapping Screw ST3x6
9	BSCU40A-09	Screw M3x8
10	BSCU40A-10	Flat-Head Self-Tapping Screw ST3x8
11	BSCU40A-11	Top Cover
12	BSCU40A-12	LED PCB Cover
13	BSCU40A-13	LED PCB

Item	Part No.	Description
14	BSCU40A-14	Self-Tapping Screw ST3x12
15	BSCU40A-15	Front Panel
16	BSCU40A-16	AC Input Socket
17	BSCU40A-17	On-Off Switch
18	BSCU40A-18	Cooling Fan
19	BSCU40A-19	Galvanised Self-Tapping Screw ST3x25
20	BSCU40A-20	PCB
21	BSCU40A-21	Galvanised Flat-Head Screw M3x8
22	BSCU40A-22	Plug
23	BSCU40A-23	Output Clamp & Eyelet Cables with EC5 Connection
24	BSCU40A-24	Temperature Sensor Cable

**NOTE:** It is our policy to continually improve products and as such we reserve the right to alter data, specifications and component parts without prior notice. There may be alternative versions of this product, please contact us should you require this information.

**IMPORTANT:** No liability is accepted for incorrect use of product. Spare parts must be fitted by a competent person

**WARRANTY:** Guarantee is 12 months from purchase date, proof of which will be required for any claim.

Sealey Group, Kempson Way, Suffolk Business Park, Bury St Edmunds, Suffolk. IP32 7AR



01284 757500



sales@sealey.co.uk



www.sealey.co.uk