

Thank you for purchasing a Sealey product. Manufactured to a high standard this product will, if used according to these instructions and properly maintained, give you years of trouble free performance.



IMPORTANT: PLEASE READ THESE INSTRUCTIONS CAREFULLY. NOTE THE SAFE OPERATIONAL REQUIREMENTS, WARNINGS AND CAUTIONS. USE THIS PRODUCT CORRECTLY AND WITH CARE FOR THE PURPOSE FOR WHICH IT IS INTENDED. FAILURE TO DO SO MAY CAUSE DAMAGE AND/OR PERSONAL INJURY AND WILL INVALIDATE THE WARRANTY. PLEASE KEEP INSTRUCTIONS SAFE FOR FUTURE USE.

1. SAFETY INSTRUCTIONS

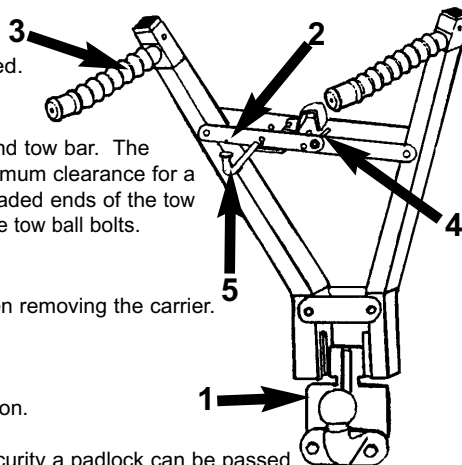
- x DO NOT use the cycle carrier if any parts are missing or damaged as this may cause failure and/or possible personal injury.
- **WARNING!** Due to the variety in design of vehicles and cycles, it is the user's full responsibility to ensure no damage occurs whilst using this cycle carrier. Correct attachment of carrier to vehicle is therefore critical and is beyond control of the manufacturer, distributor or supplier.
- **WARNING!** The user must secure the carrier and any cycles to be carried properly, checking the security frequently when in use.
- ✓ Use strong, good quality tie restraints for securing cycles to the carrier. DO NOT use string, or elasticated straps.
- ✓ If the load obscures the vehicle registration plate or lights you must fit an auxiliary number plate and/or lighting system.
- ✓ Ensure that bicycles do not come into contact with the vehicle bodywork and provide protection as required.
- **WARNING!** Remove any loose objects from the bikes i.e pumps, bottles etc.
- **WARNING!** Avoid any protrusions beyond the side of the car as these may present a risk of injury to passers-by.
- ✓ To avoid hot exhaust fume damage DO NOT position cycles near vehicle exhaust (especially bicycle tyres). If necessary fit an exhaust deflector.
- x DO NOT exceed the maximum load of 35kg.
- x DO NOT use the cycle carrier for any purpose other than for which it is designed.
- x DO NOT strap any other items to the carrier, only bicycles.
- **WARNING!** Drive carefully - be aware of cross winds, sudden braking or hard cornering, reduce speed accordingly when using carrier.
- ✓ If the cycle carrier is fitted whilst towing, be aware that damage may occur during cornering/manoeuvring with some configurations of cycles, carrier, vehicle and trailer or caravan.
- ✓ Ensure there is sufficient clearance between hitch and cycle plate to allow for un-hindered cornering. A spacer plate and longer bolts may be required.
- **WARNING!** This carrier is designed for temporary use only, remove when not in use and before going through a car wash.
- ✓ Every time before use check the carrier for security of fittings and any sign of wear and tear.
Replace any worn or damaged parts.
- **WARNING!** The vehicle driver is responsible for security and safety of the load carried.

2. CARRIER ASSEMBLY

Remove the M16 tow bar bolts and fit the special mounting plate (1) between the tow ball and tow bar. The pressed rib in the centre of the plate should project away from the tow ball, leaving the maximum clearance for a towing hitch. Always use new shake-proof spring washers when refitting the bolts. The threaded ends of the tow bar bolts must project through the nuts when tightened, if not replace with longer M16 high tensile tow ball bolts.

3. FITTING CARRIER TO MOUNTING PLATE

- **WARNING!** The locking mechanism is spring loaded, operate with care, particularly when removing the carrier.
- 3.2 Unfold the cycle support arms (3)
- 3.3 Attach the security pin (5) and chain to the carrier at position (2) as illustrated.
- 3.4 Position the cycle carrier on the mounting plate (1) as illustrated.
- 3.5 Press down on the central locking bars until the latch (4) clicks into the locked position.
- 3.6 Insert the security pin (5) through the locking bar to prevent latch (4) from releasing.
- 3.7 Check that the carrier is securely locked onto the mounting plate (1). For added security a padlock can be passed through the holes provided in the locking bars.
- 3.8 To remove the carrier, remove the security pin (5), press down on latch (4), the locking bars will now fold upwards releasing the carrier from the mounting plate.



4. FITTING CYCLE TO CARRIER

- 4.1 When placing cycles on the carrier, avoid positioning tyres close to the exhaust.
- 4.2 When carrying more than one cycle, place them in opposite directions on the carrier and ensure that the cycles are well balanced.
- 4.3 Remove loose items such as pumps, water bottles etc.
- 4.4 If carrying cycles whilst towing, ensure there is clearance between the cycles and the trailer to allow for cornering, particularly when reversing.
- 4.5 Secure cycles to carrier using suitable ties (Do not use string or elastic ties).
- 4.6 Ensure cycles are not in contact with the vehicle bodywork, provide adequate protection as required.
Many modern cars are fitted with towing eyes which are suitable for attaching anti-theft cables to secure the cycles carried.

5. CARRIER CAPACITY

The maximum carrying capacity of this product is 3 cycles not exceeding a total of 35kg. Check the weight of your cycles, a typical mountain bike may weigh 16kg.

- **WARNING! Remember the driver of the vehicle is responsible for the security and safety of the load carried. Check the tension of all straps and the security of the bicycles frequently during your journey. If your number plate and/or lights are obscured you must fit an auxiliary number plate and/or lighting system - contact your local Sealey dealer for details.**

6. PART LIST

BS4.BC2041 MOUNTING PLATE

NOTE: It is our policy to continually improve products and as such we reserve the right to alter data, specifications and component parts without prior notice.
IMPORTANT: No liability is accepted for incorrect use of this equipment. **WARRANTY:** Guarantee is 12 months from purchase date, proof of which will be required for any claim. **INFORMATION:** For a copy of our latest catalogue and promotions call us on 01284 757525 and leave your full name and address, including postcode.