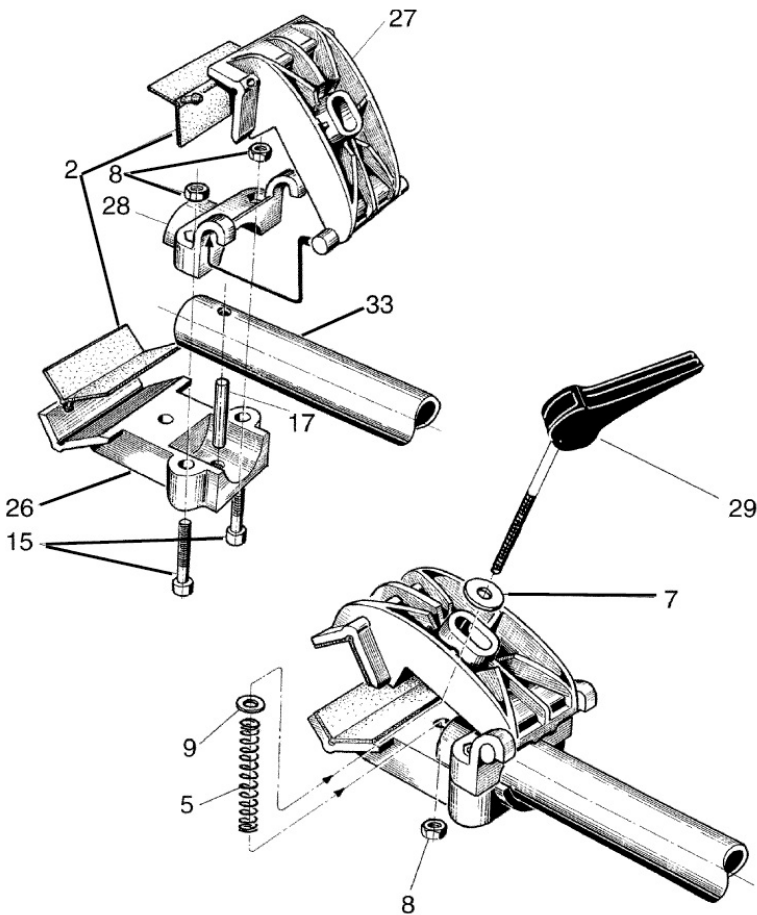
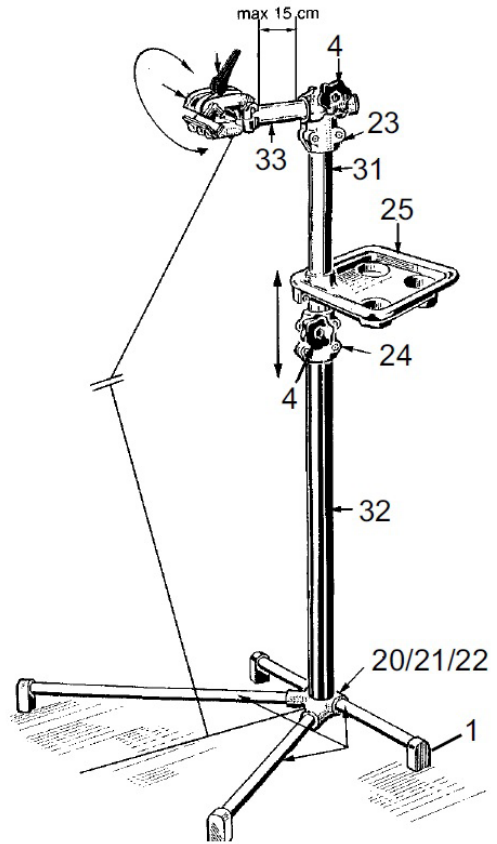
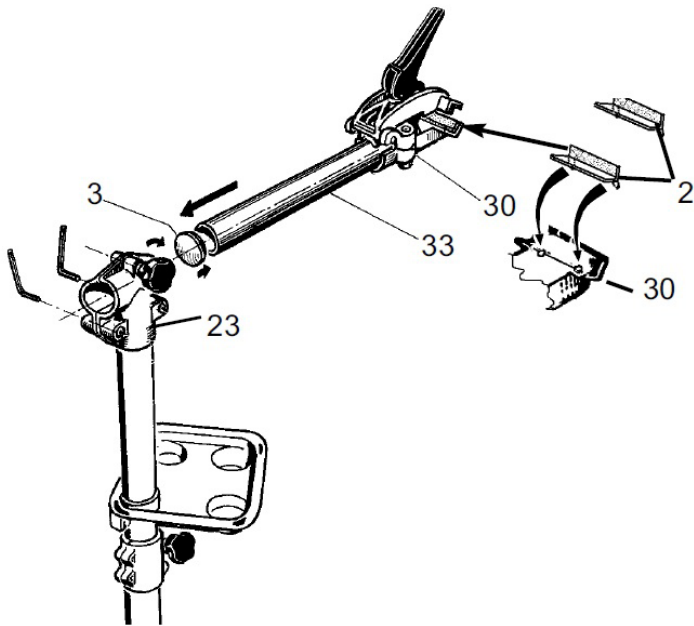


NOTE: It is our policy to continually improve products and as such we reserve the right to alter data, specifications and component parts without prior notice.

IMPORTANT: No liability is accepted for incorrect use of product.

WARRANTY: Guarantee is 12 months from purchase date, proof of which will be required for any claim.



NOTE: It is our policy to continually improve products and as such we reserve the right to alter data, specifications and component parts without prior notice.

IMPORTANT: No liability is accepted for incorrect use of product.

WARRANTY: Guarantee is 12 months from purchase date, proof of which will be required for any claim.



Parts Information:
Workshop Bicycle Stand
Model No: BS1.V2

Item	Part No.	Description
1	BS1.V2-01	PLASTIC PLUG
2	BS1.V2-02	PROTECTION FOR CLAMP (PAIR)
3	BS1.V2-03	PLASTIC HOLE COVER
4	BS1.V2-04	LOCKING HANDLE
5	BS1.V2-05	SPRING
--	BS1.V2-06	ALLEN KEY (NOT SHOWN)
7	RW825.S	REPAIR WASHER M8x25 (SINGLE)
8	SN8.S	STEEL NUT M8 ZINC DIN934 (SINGLE)
9	FWM8.S	FLAT WASHER M8 SINGLE
10	SN10.S	STEEL NUT M10 ZINC DIN934(SINGLE)
11	FWM10.S	FLAT WASHER M10 SINGLE
12	BS1.V2-12	SCREW
13	BS1.V2-13	SCREW
14	SCB830.S	SOCKET CAP BOLT ZINC M8X30
15	SCB840.S	SOCKET CAP BOLT ZINC M8X40
17	BS1.V2-17	PIN
18	SS860.S	HEX HEAD SET SCREW M8x60mm SINGLE
19	BS1.V2-19	SCREW
20	BS1.V2-20	ALUMINIUM LOWER BASE
21	BS1.V2-21	ALUMINIUM UPPER BASE

Item	Part No.	Description
22	BS1.V2-22	ALUMINIUM CONE
23	BS1.V2-23	ALUMINIUM CLAMP
24	BS1.V2-24	ALUMINIUM CLAMP
25	BS1.V2-25	PLASTIC TOOL TRAY
26	BS1.V2-26	CLAMP WITH LOWER JAWS
27	BS1.V2-27	CLAMP WITH UPPER JAWS
28	BS1.V2-28	UPPER JAWS CLAMP
29	BS1.V2-29	LEVER
30	BS1.V2-30	END CLAMP WITH TOP TUBE COMPLETE
31	BS1.V2-31	TUBE 45x785
32	BS1.V2-32	TUBE 50x785
33	BS1.V2-33	TUBE 45x250
34	BS1.V2-34	TUBE
35	BS1.V2-35	SERRATED WASHER
36	BS1.V2-36	SCREW
37	SN6.S	STEEL NUT M6 ZINC DIN934 (SINGLE)
38	BS1.V2-38	ALLEN KEY
--	BS1.V2-40	BOX (NOT SHOWN)
--	BS1.V2-41	INSTRUCTION LEAFLET (NOT SHOWN)
--	BS1.V2-42	SET OF SCREWS (16 SCREWS IN SET) (NOT SHOWN)

NOTE: It is our policy to continually improve products and as such we reserve the right to alter data, specifications and component parts without prior notice.

IMPORTANT: No liability is accepted for incorrect use of product.

WARRANTY: Guarantee is 12 months from purchase date, proof of which will be required for any claim.

Sealey Group, Kempson Way, Suffolk Business Park, Bury St Edmunds, Suffolk. IP32 7AR



01284 757500



01284 703534



sales@sealey.co.uk



www.sealey.co.uk