

Thank you for purchasing a Sealey Barbecue. This product has been manufactured to a high standard, and if used according to these instructions, and properly cared for should give you years of pleasurable use.



IMPORTANT: PLEASE READ THESE INSTRUCTIONS CAREFULLY. NOTE THE SAFETY REQUIREMENTS, WARNINGS AND CAUTIONS. USE THIS BARBECUE CORRECTLY AND WITH CARE FOR THE PURPOSE FOR WHICH IT IS INTENDED. FAILURE TO DO SO MAY CAUSE A FIRE, OR PERSONAL INJURY, AND WILL INVALIDATE THE WARRANTY. RETAIN INSTRUCTIONS FOR FUTURE USE.

1. SAFETY INSTRUCTIONS

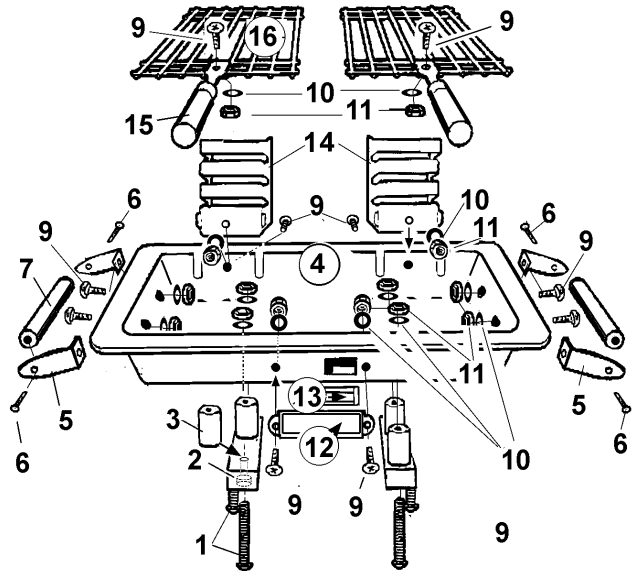
- ✓ Assemble the Barbecue correctly and stand it on a safe, firm, level surface. Ensure the location you choose is away from flammable materials such as fencing, trees, wooden structures such as sheds, overhangs or any such item that may be effected by heat.
- x DO NOT place flammable liquids, gasses, or other substances near the barbecue.
- x DO NOT use the Barbecue indoors.
- ❑ **WARNING!** DO NOT use petrol, paraffin, methylated spirit, lighter fuel, or similar, or any other source of ignition other than specifically produced barbecue lighting fluid or paste, or fire lighters.
- x DO NOT move the barbecue once it is lit.
- ✓ DO keep children and pets at a safe distance from the Barbecue.
- ✓ DO keep a fire extinguisher at hand.
- x DO NOT touch the barbecue whilst cooking food, as the barbecue will reach a very high temperature.
- x DO NOT leave cooking utensils on the grill or place them in the fuel.
- ✓ DO use cooking utensils with handles that do not conduct heat.
- x DO NOT allow the barbecue to burn unattended.
- ✓ When you have completed cooking, allow the embers to completely cool before handling or removing barbecue.
- ✓ Ensure the barbecue embers are completely extinguished before leaving the barbecue unattended.
- ✓ When cold, carefully dispose of ash, clean grill and burner tray. Lightly smear grill with cooking oil to protect it, and store in a safe, dry location.

2. ASSEMBLY INSTRUCTIONS

Unpack the barbecue and check contents against the parts list. Should there be any damaged or missing parts contact your supplier immediately. Assemble your barbecue as follow:

NOTE: The following is for model BBQ2. For model BBQ3 duplicate assembly for additional items.

1. Hold wooden foot (2) so that the recess is on the underside. Pass screw (1) up through the recess into the hole in the foot (2) and place foot support tube (3) over protruding screw (1). Repeat procedure for each foot hole then hold foot to the burner tray (4) and pass screws through tray hole, and secure with washers (10) and nuts (11).
2. Place handle brackets (5) to side handles (7) with angle pointing inward (see diagram) and secure with small screws (6). Attach side handles (7) to burner tray (4) by passing screws (9) from the outside inward and secure with washers (10) and nuts (11).
3. Place air vent slide (13) inside the ventilation frame (12) align with the ventilation slots on the front side of burner tray (4) and pass screws (9) from the outside to the inside and secure with washers (10) and nuts (11).
4. Place grill supports (14) in the appropriate position at the back of the burner base (4) and pass screws (9) from the outside in, and secure with washers (10) and nuts (11).
5. Attached grill handles (15) to grills (16) with screws (9) washers (10) and nuts (11). Your barbecue is now ready for use.



3. USING THE BARBECUE

1. Place barbecue charcoal or briquettes into burner base (4)
2. Light the fuel with lighting fluid or paste, or fire lighters.
3. Once lit, charcoal or briquettes will gradually continue to slowly burn and develop a very high temperature by which time the charcoal will burn white in colour, (there should not be any flames).
4. Heat may be controlled by opening and closing air vent(s) (13) at the front of the base.
5. Place the grill in the grill support (14) at the height required.
6. The barbecue is now ready for food to be cooked.

❑ **WARNING!** Read and remember to apply the safety rules in chapter 1. Failure to do so could result in fire or serious burn injuries.

PARTS LIST

- 1 Foot screw (large x 4)
- 2 Wooden feet x 2
- 3 Foot support tube x 4
- 4 Burner tray x 1
- 5 Handle brackets x 4
- 6 Handle screw (small x 4)
- 7 Side handle x 2

The number of following will vary according to model of barbecue.

- 9 Screws (general x 14 min)
- 10 washers (general x 14 min)
- 11 Nuts (general x 14 min)
- 12 Air ventilation frame (x1 or x2)
- 13 Air vent control slide (x1 or x2)
- 14 Grill support (x2 or x3)
- 15 Grill handle (x2 or x3)
- 16 Grill (x2 or x3)

NOTE: It is our policy to continually improve products and as such we reserve the right to alter data, specifications and component parts without prior notice.

IMPORTANT: No liability is accepted for incorrect use of product. **WARRANTY:** Guarantee is 12 months from purchase date, proof of which will be required for any claim. **INFORMATION:** Call us for a copy of our latest catalogue on 01284 757525 and leave your full name and address including your postcode.

