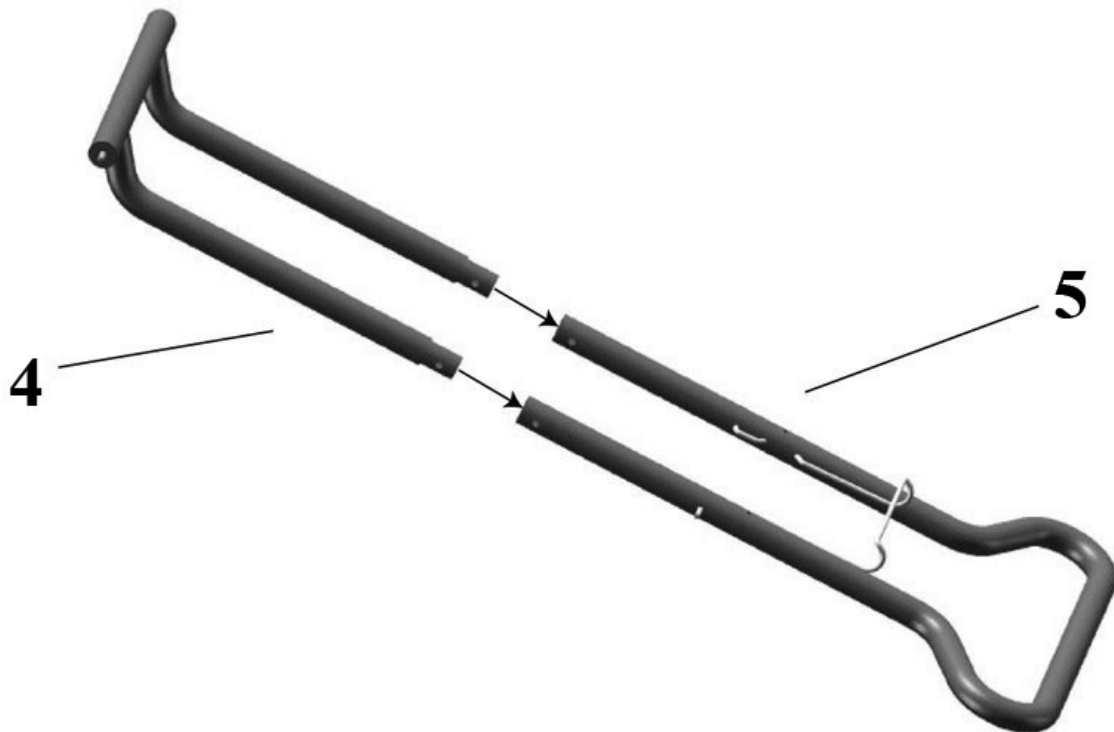
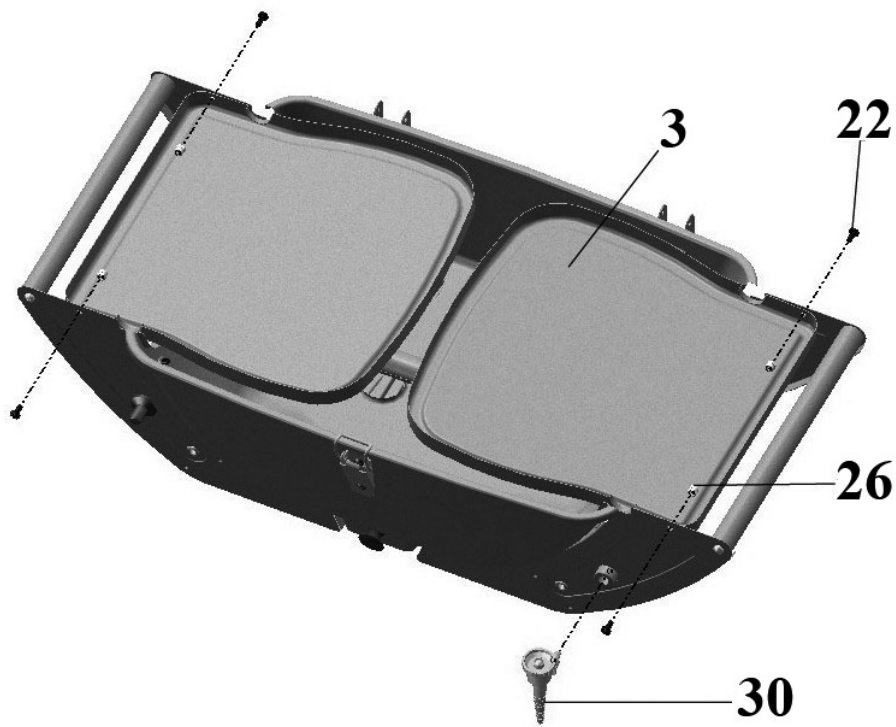


NOTE: It is our policy to continually improve products and as such we reserve the right to alter data, specifications and component parts without prior notice.

IMPORTANT: No liability is accepted for incorrect use of product.

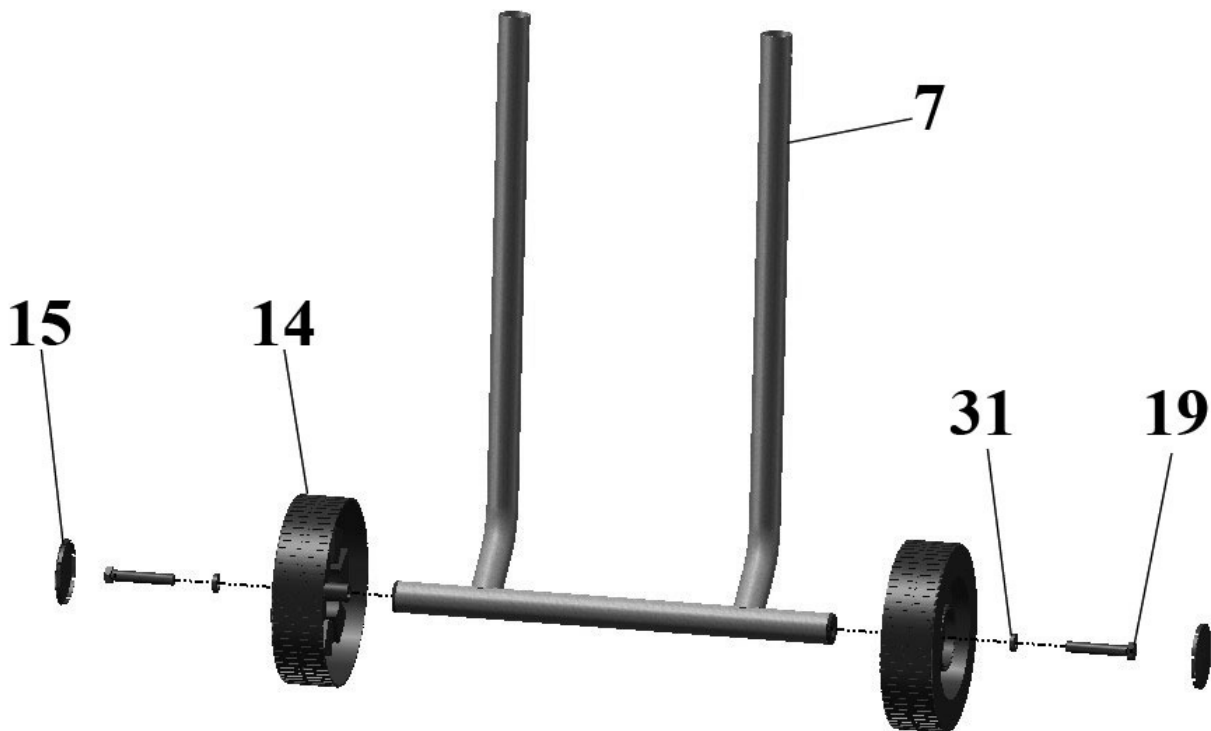
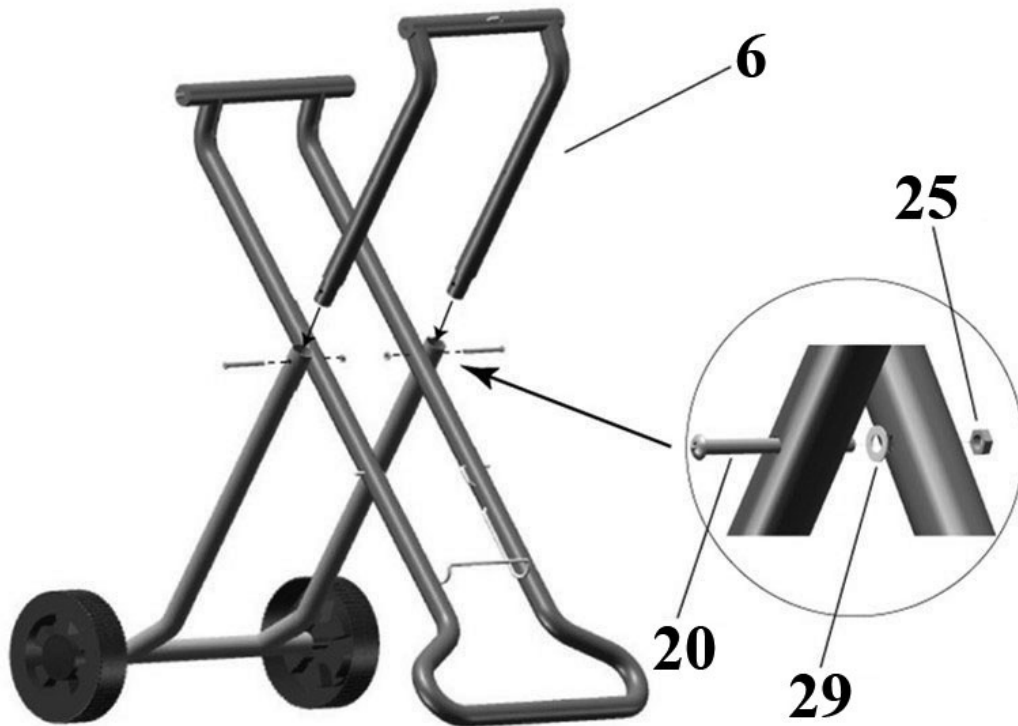
WARRANTY: Guarantee is 12 months from purchase date, proof of which will be required for any claim.



NOTE: It is our policy to continually improve products and as such we reserve the right to alter data, specifications and component parts without prior notice.

IMPORTANT: No liability is accepted for incorrect use of product.

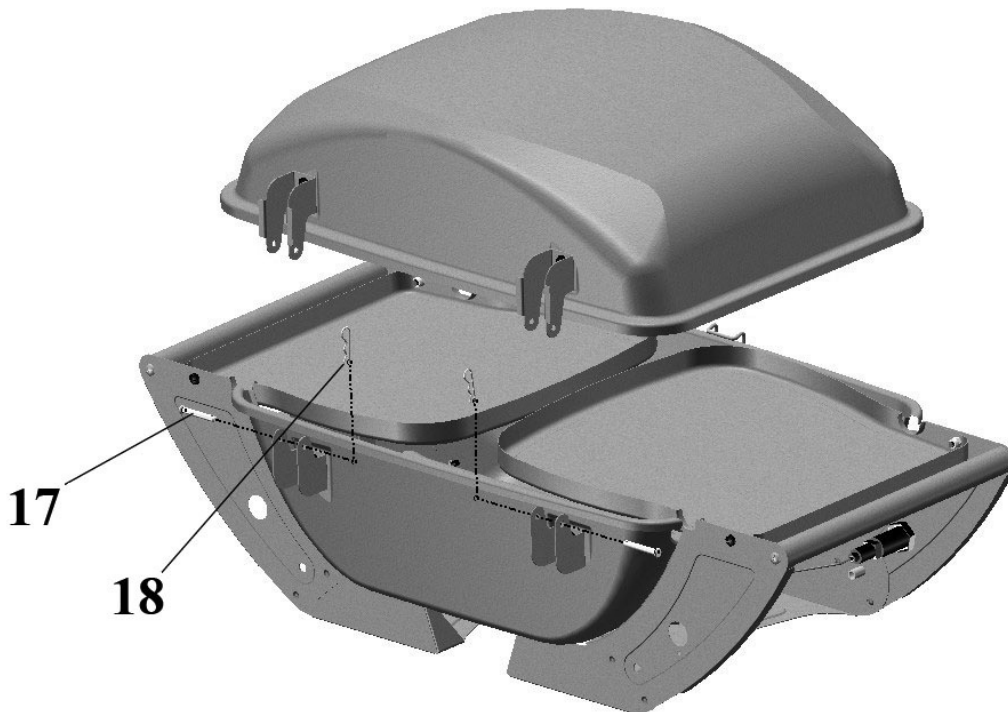
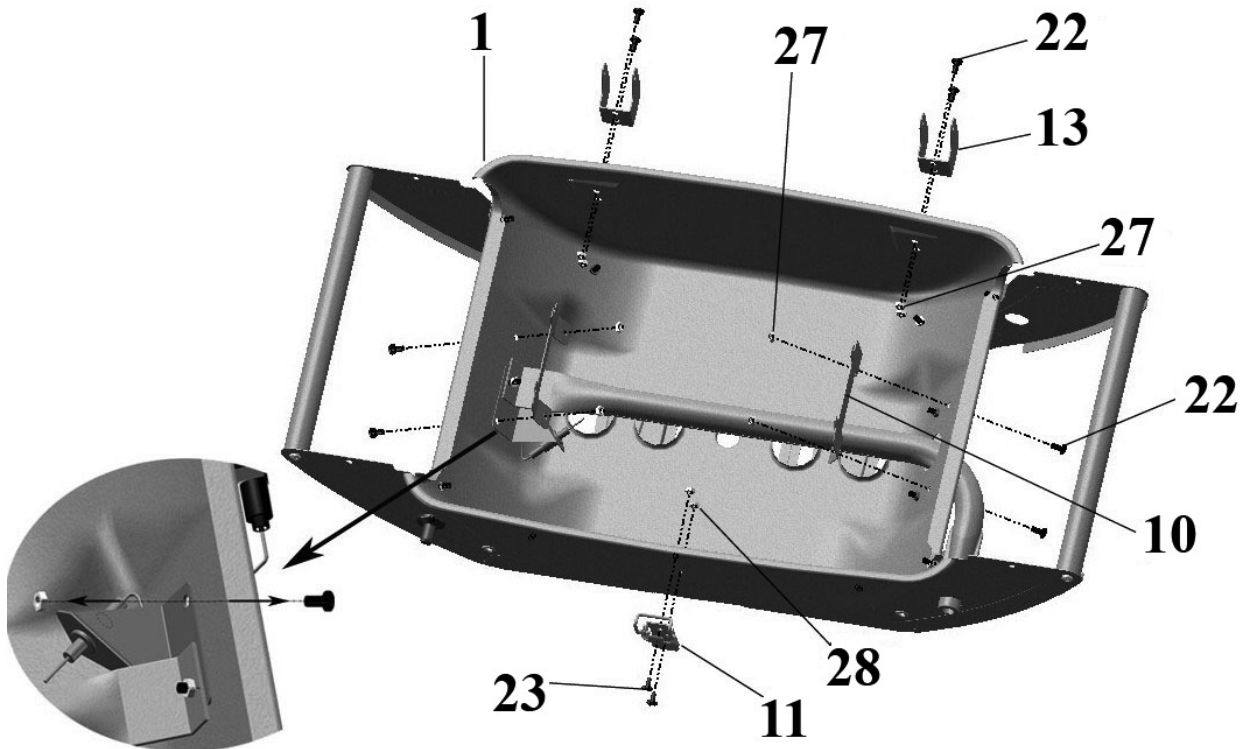
WARRANTY: Guarantee is 12 months from purchase date, proof of which will be required for any claim.



NOTE: It is our policy to continually improve products and as such we reserve the right to alter data, specifications and component parts without prior notice.

IMPORTANT: No liability is accepted for incorrect use of product.

WARRANTY: Guarantee is 12 months from purchase date, proof of which will be required for any claim.



NOTE: It is our policy to continually improve products and as such we reserve the right to alter data, specifications and component parts without prior notice.

IMPORTANT: No liability is accepted for incorrect use of product.

WARRANTY: Guarantee is 12 months from purchase date, proof of which will be required for any claim.



Parts Information:
Gas BBQ Portable
Model No: BBQ04

Item	Part No.	Description
1	BBQ04.01	MAIN BODY
1A + 1B	BBQ04.01A	LEG SUPPORT ASSEMBLY (SET OF 2)
1C	BBQ04.01C	BURNER
1D	BBQ04.01D	OIL PAN
1E	BBQ04.01E	HOOK PLATE
1F	BBQ04.01F	PIEZO ASSEMBLY
2	BBQ04.02	LID
3	BBQ04.03	SIDE SHELF
4	BBQ04.04	UPPER SUPPORT (A)
5	BBQ04.05	LOWER SUPPORT (B)
6	BBQ04.06	UPPER SUPPORT (B)
7	BBQ04.07	LOWER SUPPORT (A)
--	BBQ04.08	GRILL (NOT SHOWN)
--	BBQ04.09	FIRE GUARD (NOT SHOWN)
10	BBQ04.10	FIRE GUARD SUPPORT
11	BBQ04.11	LATCH
12	BBQ04.12	UPPER HINGE
13	BBQ04.13	LOWER HINGE

Item	Part No.	Description
14	BBQ04.14	WHEEL, FIXED (150x8x39)
15	BBQ04.15	WHEEL CAP
16	BBQ04.16	HANDLE FOR LID
17	BBQ04.17	HINGE PIN
18	BBQ04.18	PIN LOCK
19	BBQ04.19	BOLT (M8)
20	BBQ04.20	SCREW (M6x60)
21	BBQ04.21	SCREW (M6x12)
22	BBQ04.22	SCREW (M5x10)
23	BBQ04.23	SCREW (M3x10)
24	BBQ04.24	WASHER BLACK OBLONG M6 CENTRE
25	NLN6.S	NYLOC NUT M6 ZINC DIN 985 (SINGLE)
26	NLN5.S	NYLOC NUT M5 ZINC DIN 985 (SINGLE)
27	SN5.SB	STEEL NUT M5 BLACK (SINGLE)
28	SN3.S	STEEL NUT M3 ZINC DIN934 (SINGLE)
29	BBQ04.29	WASHER NYLON M8X18
30	BBQ04.30	GAS VALVE
31	BBQ04.31	WHEEL PLASTIC BUSH
--	BBQ04.32	BURNER END CAP (NOT SHOWN)

NOTE: It is our policy to continually improve products and as such we reserve the right to alter data, specifications and component parts without prior notice.

IMPORTANT: No liability is accepted for incorrect use of product.

WARRANTY: Guarantee is 12 months from purchase date, proof of which will be required for any claim.

Sealey Group, Kempson Way, Suffolk Business Park, Bury St Edmunds, Suffolk. IP32 7AR



01284 757500



01284 703534



sales@sealey.co.uk



www.sealey.co.uk