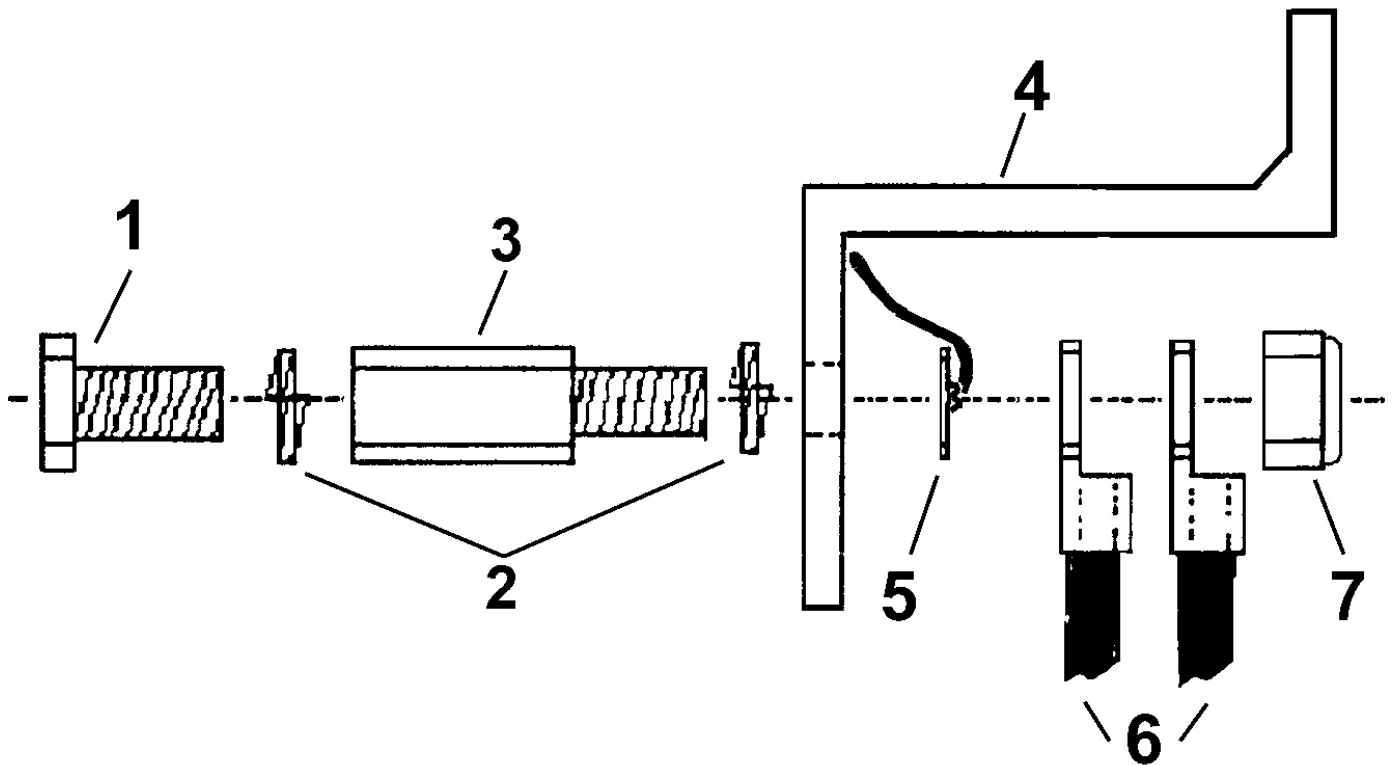




Parts Information:
Multi-Charge Battery Busbar
Model No: BB8



Item	Part No.	Description
1	BB8.01	Screw
2	BB8.02	Spring Washer
3	BB8.03	Spacer Support
4	BB8.04	Clamp Location Slot
5	BB8.05	L.E.D. Cable

Item	Part No.	Description
6	BB8.06	Clamp Leads (Pair)
	BB8.06B	Clamp Leads (Black)
	BB8.06R	Clamp Leads (Red)
7	SN38.UNC	Steel Nut 3/8" unc (Single)

NOTE: It is our policy to continually improve products and as such we reserve the right to alter data, specifications and component parts without prior notice.

IMPORTANT: No liability is accepted for incorrect use of product.

WARRANTY: Guarantee is 12 months from purchase date, proof of which will be required for any claim.

Sealey Group, Kempson Way, Suffolk Business Park, Bury St Edmunds, Suffolk. IP32 7AR



01284 757500



01284 703534



sales@sealey.co.uk



www.sealey.co.uk