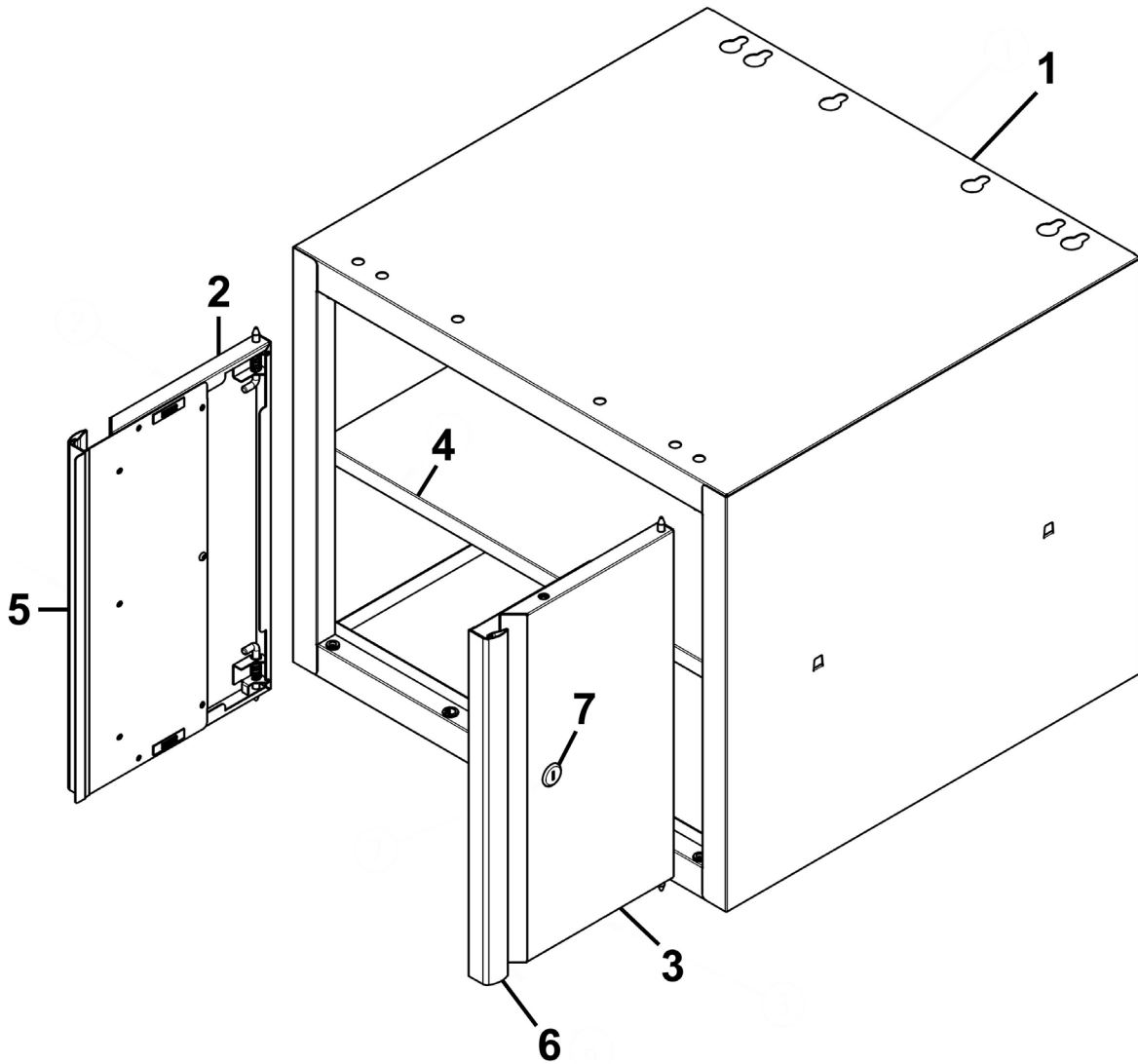




TM

Parts Information:
**Superline PRO® Modular Double Door
 Cupboard Unit**
Model No: APMWBC2



| Item | Part No. | Description |
|------|------------|--------------------------|
| 1 | APMWBC2-01 | Cabinet Body |
| 2 | APMWBC2-02 | Cabinet Door, Left Side |
| 3 | APMWBC2-03 | Cabinet Door, Right Side |
| 4 | APMWBC2-04 | Cabinet Shelf |

| Item | Part No. | Description |
|------|------------|--------------------------------|
| 5 | APMWBC2-05 | Cabinet Door Trim (Left Side) |
| 6 | APMWBC2-06 | Cabinet Door Trim (Right Side) |
| 7 | APMWBC2-07 | Lock & Key |

NOTE: It is our policy to continually improve products and as such we reserve the right to alter data, specifications and component parts without prior notice. There may be alternative versions of this product, please contact us should you require this information.

IMPORTANT: No liability is accepted for incorrect use of product. Spare parts must be fitted by a competent person

WARRANTY: Guarantee is 12 months from purchase date, proof of which will be required for any claim.

Sealey Group, Kempson Way, Suffolk Business Park, Bury St Edmunds, Suffolk. IP32 7AR



01284 757500



sales@sealey.co.uk



www.sealey.co.uk