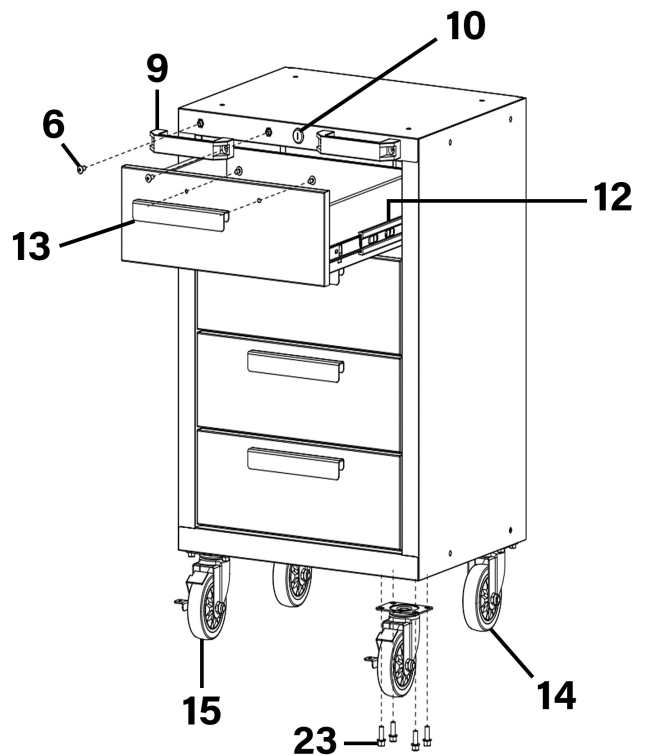
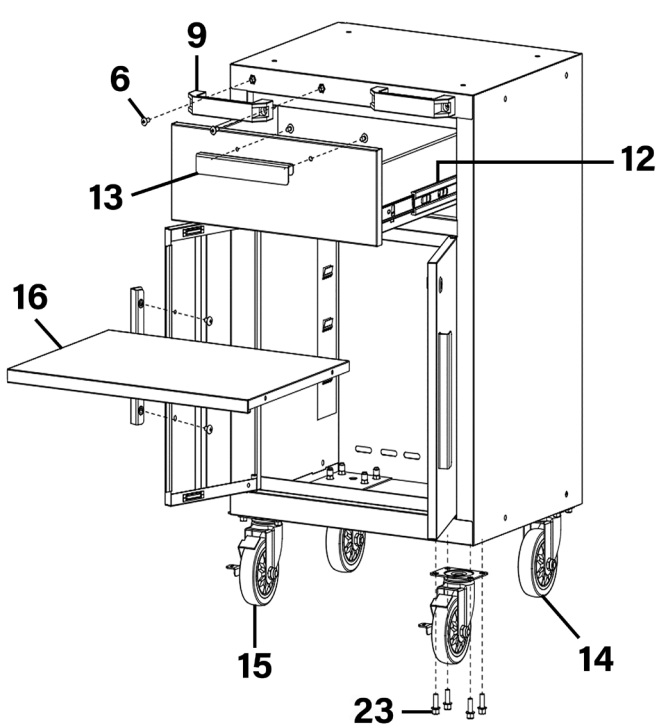
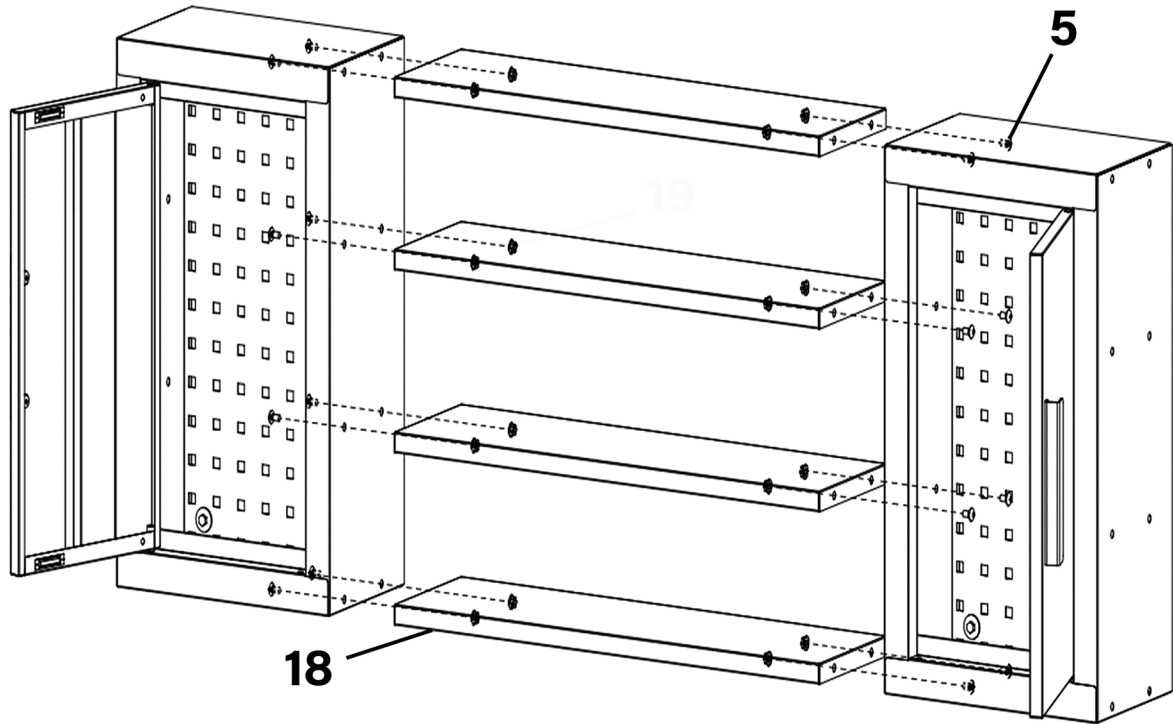


NOTE: It is our policy to continually improve products and as such we reserve the right to alter data, specifications and component parts without prior notice. There may be alternative versions of this product, please contact us should you require this information.

IMPORTANT: No liability is accepted for incorrect use of product. Spare parts must be fitted by a competent person

WARRANTY: Guarantee is 12 months from purchase date, proof of which will be required for any claim.



NOTE: It is our policy to continually improve products and as such we reserve the right to alter data, specifications and component parts without prior notice. There may be alternative versions of this product, please contact us should you require this information.

IMPORTANT: No liability is accepted for incorrect use of product. Spare parts must be fitted by a competent person

WARRANTY: Guarantee is 12 months from purchase date, proof of which will be required for any claim.



Parts Information:
**Complete Garage Storage System with
Mobile Trolley x 2**
Model No: APMS12OP

Item	Part No.	Description
1	APMS12OP-01	Cabinet Locker Handle
2	APMS12OP-02	Handle Hardware Pack
3	APMS12OP-03	Shelf for Cabinet Locker
4	APMS12OP-04	Adjustable Leveler Foot
5	APMS12OP-05	Hardware Pack (for Castor/Worktop/Cabinet)
6	APMS12OP-06	Flat-Head Bolt M8 x 16
7	APMS12OP-07	Pegboard
8	APMS12OP-08	Wall Assembly Hardware Pack
9	APMS12OP-09	Grab Handle
12	APMS12OP-12	Ball Bearing Slide
13	APMS12OP-13	Drawer Handle
14	APMS12OP-14	Castor (without Brake)

Item	Part No.	Description
15	APMS12OP-15	Castor (with Brake)
16	APMS12OP-16	Cabinet Shelf
17	APMS12OP-17	Wall Cabinet Handle
18	APMS12OP-18	Shelf (to Connect Wall Cabinets)
19	APMS12OP-19	Worktop
20	APMS12OP-20	Foot M10 x 45
21	HHB865.S	Hex Head Bolt M8 x 65mm
22	FN8.S	Flange Nut Serrated M8 Zinc
23	SFS820.S	Hex Head Flange Bolt M8 X 20 Zinc
--	APMS12OP-10	Lock (Not Shown)
--	APMS12OP-11	Spare Key (Not Shown)

NOTE: It is our policy to continually improve products and as such we reserve the right to alter data, specifications and component parts without prior notice. There may be alternative versions of this product, please contact us should you require this information.

IMPORTANT: No liability is accepted for incorrect use of product. Spare parts must be fitted by a competent person

WARRANTY: Guarantee is 12 months from purchase date, proof of which will be required for any claim.

Sealey Group, Kempson Way, Suffolk Business Park, Bury St Edmunds, Suffolk. IP32 7AR



01284 757500



sales@sealey.co.uk



www.sealey.co.uk