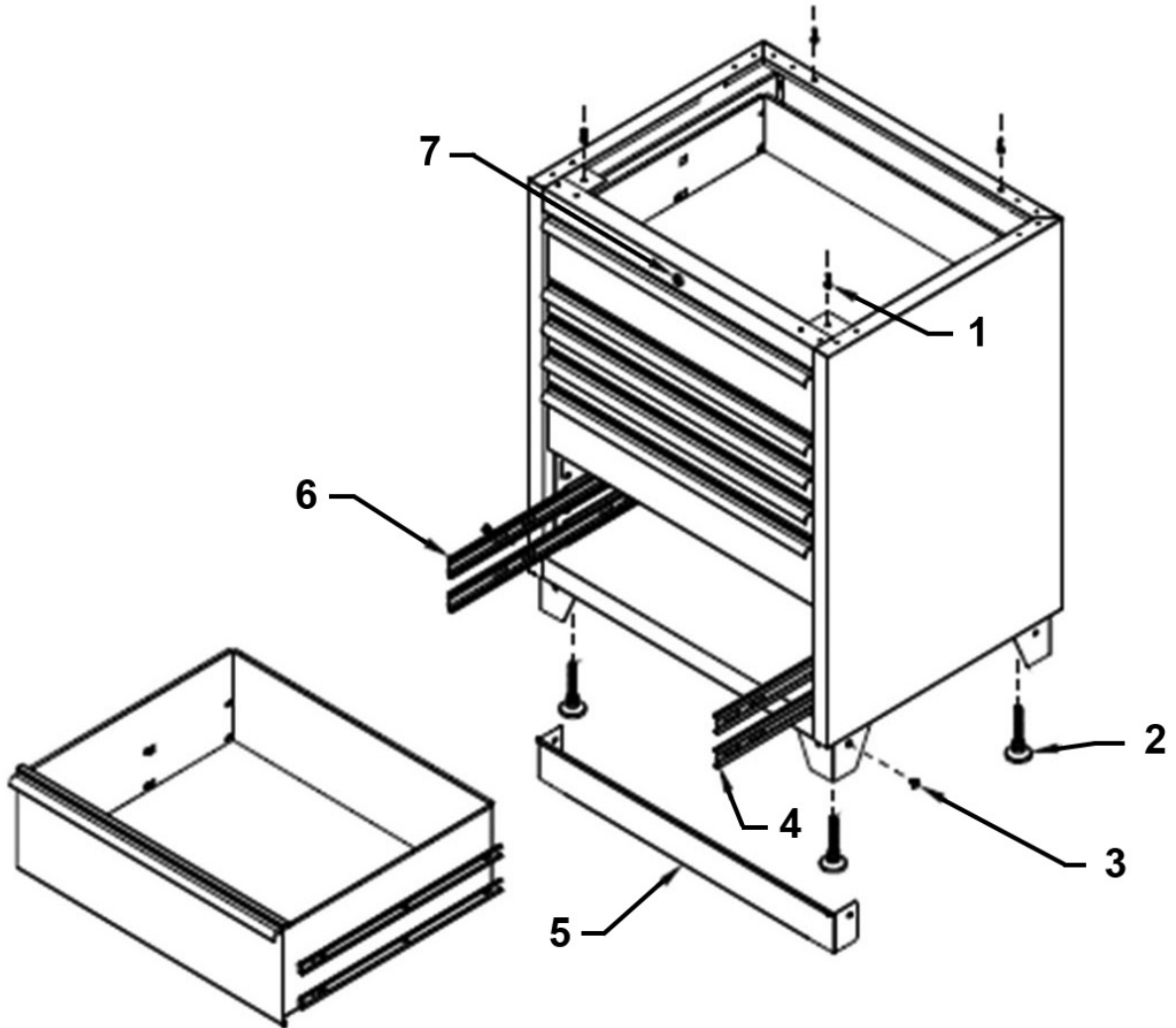


Parts Information:
**Modular Floor Cabinet 6 Drawer 775mm
 Heavy-Duty
 Model No: APMS03**



Item	Part No.	Description
1	APMS-320122	Bolt, Hex Flange M4.8 x 25
2	APMS-313004	Adjustable Foot
3	MSP612.SB	Machine Screw Pan Head Phillips M6 x 12mm Black
4	APMS-300324	Slide (Right)
5	APMS-221809	Cabinet Support
6	APMS-300323	Slide (Left)

Item	Part No.	Description
7	PTB-304007	Lock And Key (Number 1201)
--	PTB-304007A	Lock And Key (Number 1202)
--	PTB-304007B	Lock And Key (Number 1203)
--	PTB-304007C	Lock And Key (Number 1204)
--	PTB-310157	Sealey Zinc Badge (not shown)
--	PTB-310158	Premier Zinc Badge (not shown)
--	APMS-551583	Drawer Liner 667 x 545mm (not shown)

NOTE: It is our policy to continually improve products and as such we reserve the right to alter data, specifications and component parts without prior notice. There may be alternative versions of this product, please contact us should you require this information.

IMPORTANT: No liability is accepted for incorrect use of product. Spare parts must be fitted by a competent person

WARRANTY: Guarantee is 12 months from purchase date, proof of which will be required for any claim.