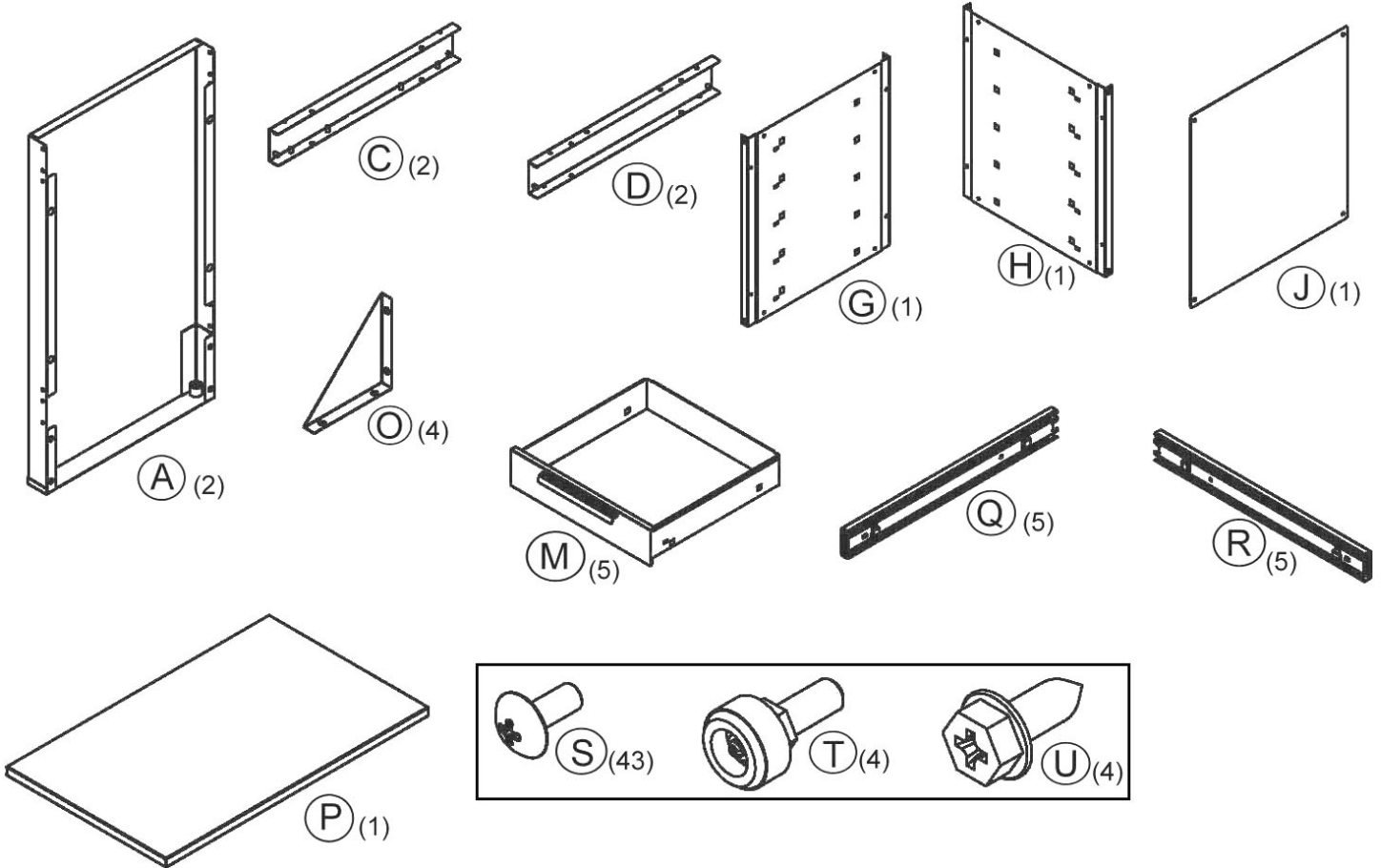


Parts Information:
Workbench with 5 Drawers Ball Bearing Slides Heavy-Duty
Model No: AP2050BB



Item	Part No.	Description
A	AP2050BB.A	SIDE PANEL
C	AP2050BB.C	BOTTOM RAIL
D	AP2050BB.D	TOP RAIL
G	AP2050BB.G	LEFT SIDE PANEL
H	AP2050BB.H	RIGHT SIDE PANEL
J	AP2050BB.J	BACK PANEL
M	AP2050BB.M	DRAWER

Item	Part No.	Description
O	AP2030I	CORNER BRACE
P	AP2050BB.P	WOODEN TOP
Q	AP2050BB.Q	LEFT SIDE RUNNER
R	AP2050BB.R	RIGHT SIDE RUNNER
S	AP2050BB.S	SCREW (M5x12)
T	AP2050BB.T	ADJUSTABLE LEG LEVELER (SET OF 4)
U	AP2050BB.U	HEX HEAD SCREW 5/8"

NOTE: It is our policy to continually improve products and as such we reserve the right to alter data, specifications and component parts without prior notice.

IMPORTANT: No liability is accepted for incorrect use of product.

WARRANTY: Guarantee is 12 months from purchase date, proof of which will be required for any claim.