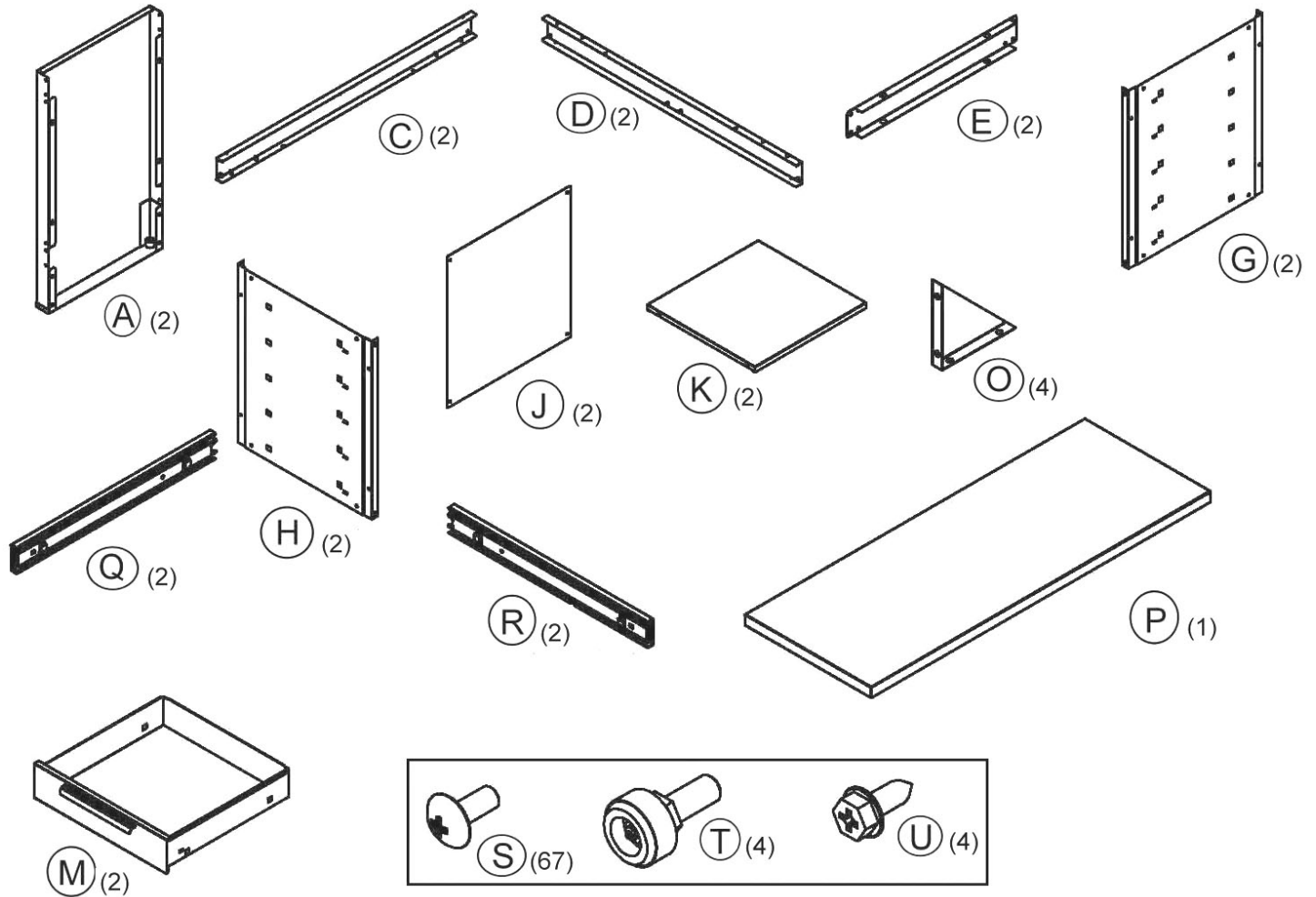


Parts Information:  
**Workbench with 2 Drawers Ball Bearing Slides Heavy-Duty**  
**Model No: AP2020BB**



Item	Part No.	Description
A	AP2020BB.A	SIDE PANEL
C	AP2020BB.C	BOTTOM RAIL
D	AP2020BB.D	TOP RAIL
E	AP2020BB.E	CENTRE SUPPORT
G	AP2020BB.G	LEFT SIDE PANEL
H	AP2020BB.H	RIGHT SIDE PANEL
J	AP2020BB.J	BACK PANEL
K	AP2020BB.K	SHELF
M	AP2050BB.M	DRAWER

Item	Part No.	Description
O	AP2030I	CORNER BRACE
P	AP2020.N	LAYER BOARD TOP
Q	AP2020BB.Q	LEFT SIDE RUNNER
R	AP2020BB.R	RIGHT SIDE RUNNER
S	AP2050BB.S	SCREW (M5x12)
T	AP2020BB.T	ADJUSTABLE LEG LEVELER
U	AP2020BB.U	HEX HEAD SCREW 5/8"
--	SN6.S	STEEL NUT M6 ZINC DIN934 (SINGLE) (NOT SHOWN)
--	AP2020BB.W	M6x16 SCREW (NOT SHOWN)

**NOTE:** It is our policy to continually improve products and as such we reserve the right to alter data, specifications and component parts without prior notice.

**IMPORTANT:** No liability is accepted for incorrect use of product.

**WARRANTY:** Guarantee is 12 months from purchase date, proof of which will be required for any claim.