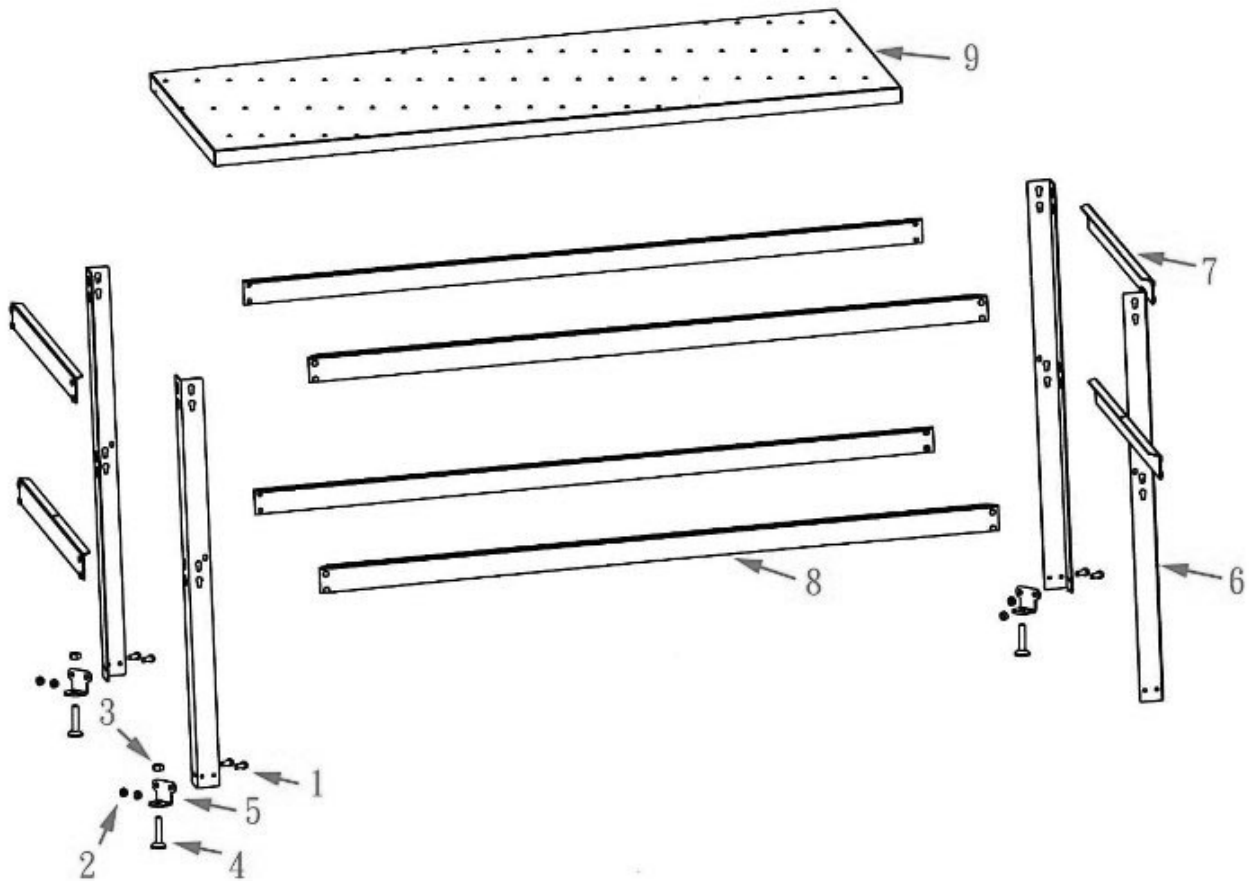




Parts Information:
Workbench 1.5mtr Steel 700 x 1500mm
Beech Top
Model No: AP0715



Item	Part No.	Description
1	AP0715.01	SCREW
2	SN6.S	STEEL NUT M6 ZINC DIN934 (SINGLE)
3	SN8.S	STEEL NUT M8 ZINC DIN934 (SINGLE)
4	AP0715.04	ADJUSTABLE SCREW
5	AP0715.05	FOOT

Item	Part No.	Description
6	AP0715.06	LEG FRAME
7	AP0715.07	CROSS BAR FRAME
8	AP0715.08	FRAME (LONG)
9	AP0715.09	WOODEN TOP

NOTE: It is our policy to continually improve products and as such we reserve the right to alter data, specifications and component parts without prior notice.

IMPORTANT: No liability is accepted for incorrect use of product.

WARRANTY: Guarantee is 12 months from purchase date, proof of which will be required for any claim.

Sealey Group, Kempson Way, Suffolk Business Park, Bury St Edmunds, Suffolk. IP32 7AR



01284 757500



01284 703534



sales@sealey.co.uk



www.sealey.co.uk