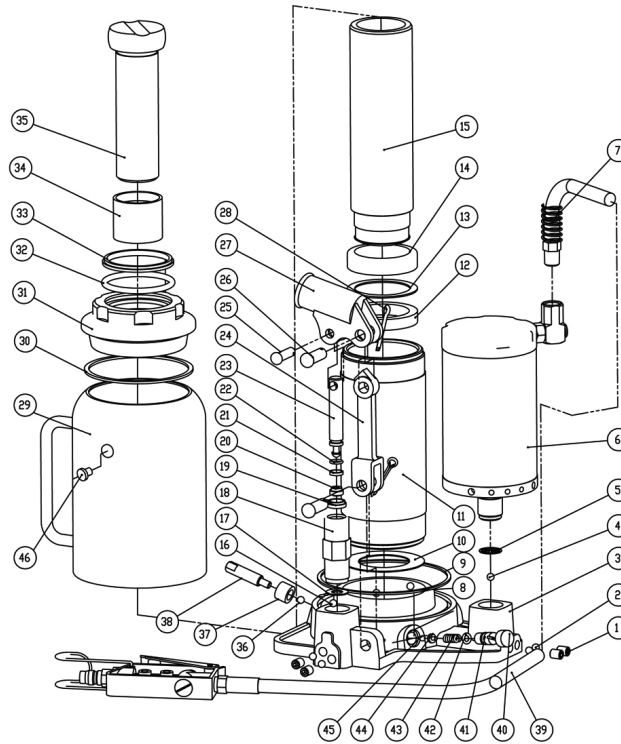


Parts Information: Bottle Jack Yankee 20ton Manual/Air Hydraulic Model No: AM20E



Item	Part No.	Description
1	AM15E.01	Bolt m10x7 (2PK)
2	AM15E.02	Steel Ball (2PCS)
3	AM15E.03	Base
4	SB-7.9	Steel Ball 7.9mm
5	AM15E.05	Disc With Cross
6	AM15E.06	Air Cylinder
7	AM15E.39	Air Hose Assembly
8	SB-6.4	Steel Ball 6.4mm
9	AM15E.09	Large Nylon Ring
10	AM15E.10	Washer
11	AM15E.11	Hydraulic Cylinder
12	AM15E.12	Oil Seal
13	AM15E.13	Back-Up Ring
14	AM15E.14	Support Block
15	AM15E.15	Set Bolt
16	SB-6.4	Steel Ball 6.4mm
17	AM15E.05	Disc With Cross
18	AM15E.18	Manual Cylinder
19	AM15E.19	U-Seal
20	AM15E.20	U-Seal
21	AM15E.21	Back-Up Ring
22	AM15E.22	O-Ring
23	AM15E.23	Manual Piston
24	AM15E.24	Link

Item	Part No.	Description
25	AM15E.25	Pin
26	AM15E.26	Pin
27	AM15E.27	Handle Sleeve
28	AM15E.28	Snap Pin
29	AM15E.29	Oil Tank
30	AM15E.30	Nylon Seal
31	AM15E.31	Top Nut
32	AM15E.32	O-Ring
33	AM15E.33	Seal
34	AM15E.34	Nut
35	AM15E.35	Bolt m36x107
36	SB-6.4	Steel Ball 6.4mm
37	AM15E.37	Rubber Seal
38	AM15E.38	Release Valve
39	AM15E.39	Air Hose Assembly
40	AM15E.40	Plastic Plug
41	AM15E.41	Relief Valve Bolt
42	AM15E.42	O-Ring
43	AM15E.43	Spring
44	AM15E.44	Steel Ball Bolt
45	SB-5.6	Steel Ball 5.6mm
46	AM15E.46	Oil Screw Assembly
--	SJ20T.18	Handle Complete (NOT SHOWN)

NOTE: It is our policy to continually improve products and as such we reserve the right to alter data, specifications and component parts without prior notice.

IMPORTANT: No liability is accepted for incorrect use of product.

WARRANTY: Guarantee is 12 months from purchase date, proof of which will be required for any claim.