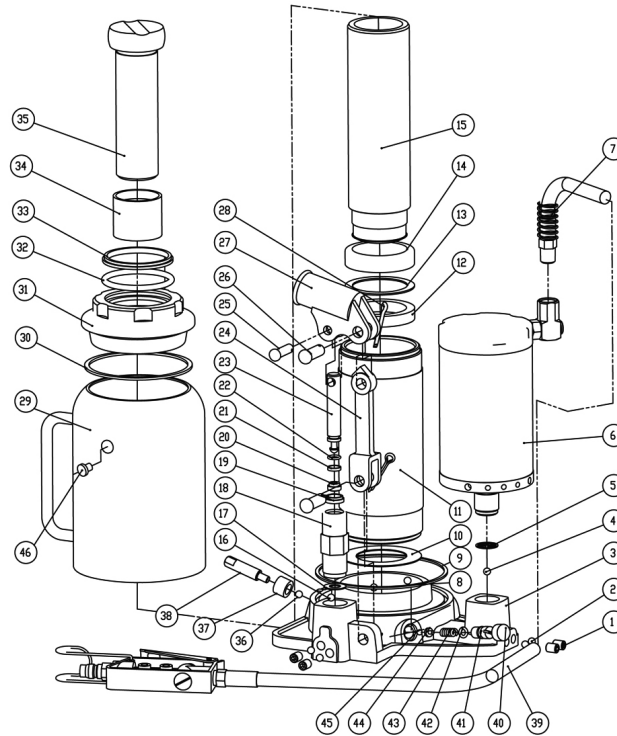


## Parts Information: Bottle Jack Yankee 12ton Manual/Air Hydraulic Model No: AM12E



Item	Part No.	Description
1	AM15E.01	Bolt m10x7 (2PK)
2	AM15E.02	Steel Ball (2PCS)
3	AM12E.03	Base
4	SB-7.9	Steel Ball 7.9mm
5	AM15E.05	Disc With Cross
6	AM12E.06	Air Cylinder
7	AM12E.39	Air Hose Assembly
8	SB-6.4	Steel Ball 6.4mm
9	AM12E.09	Washer
10	AM12E.10	Washer
11	AM12E.11	Hydraulic Cylinder
12	AM12E.12	U-Cup Seal 50.5*35.5*10
13	AM12E.13	Back-Up Ring
14	AM12E.14	Support Block
15	AM12E.15	Set Bolt
16	SB-6.4	Steel Ball 6.4mm
17	AM15E.05	Disc With Cross
18	AM15E.18	Manual Cylinder
19	AM15E.19	U-Seal
20	AM15E.20	U-Seal
21	AM15E.21	Back-Up Ring
22	AM15E.22	O-Ring
23	AM15E.23	Manual Piston
24	AM15E.24	Link

Item	Part No.	Description
25	AM15E.25	Pin
26	AM15E.26	Pin
27	AM15E.27	Handle Sleeve
28	AM15E.28	Snap Pin
29	AM12E.29	Oil Tank
30	AM12E.30	Nylon Washer
31	AM12E.31	Top Nut
32	AM12E.32	O-Ring
33	AM12E.33	Seal
34	AM12E.34	Nut
35	AM12E.35	Bolt
36	SB-6.4	Steel Ball 6.4mm
37	AM15E.37	Rubber Seal
38	AM15E.38	Release Valve
39	AM12E.39	Air Hose Assembly
40	AM15E.40	Plastic Plug
41	AM15E.41	Relief Valve Bolt
42	AM15E.42	O-Ring
43	AM15E.43	Spring
44	AM15E.44	Steel Ball Bolt
45	SB-5.6	Steel Ball 5.6mm
46	AM15E.46	Oil Screw Assembly
--	SJ20T.18	Handle Complete (NOT SHOWN)

**NOTE:** It is our policy to continually improve products and as such we reserve the right to alter data, specifications and component parts without prior notice.

**IMPORTANT:** No liability is accepted for incorrect use of product.

**WARRANTY:** Guarantee is 12 months from purchase date, proof of which will be required for any claim.