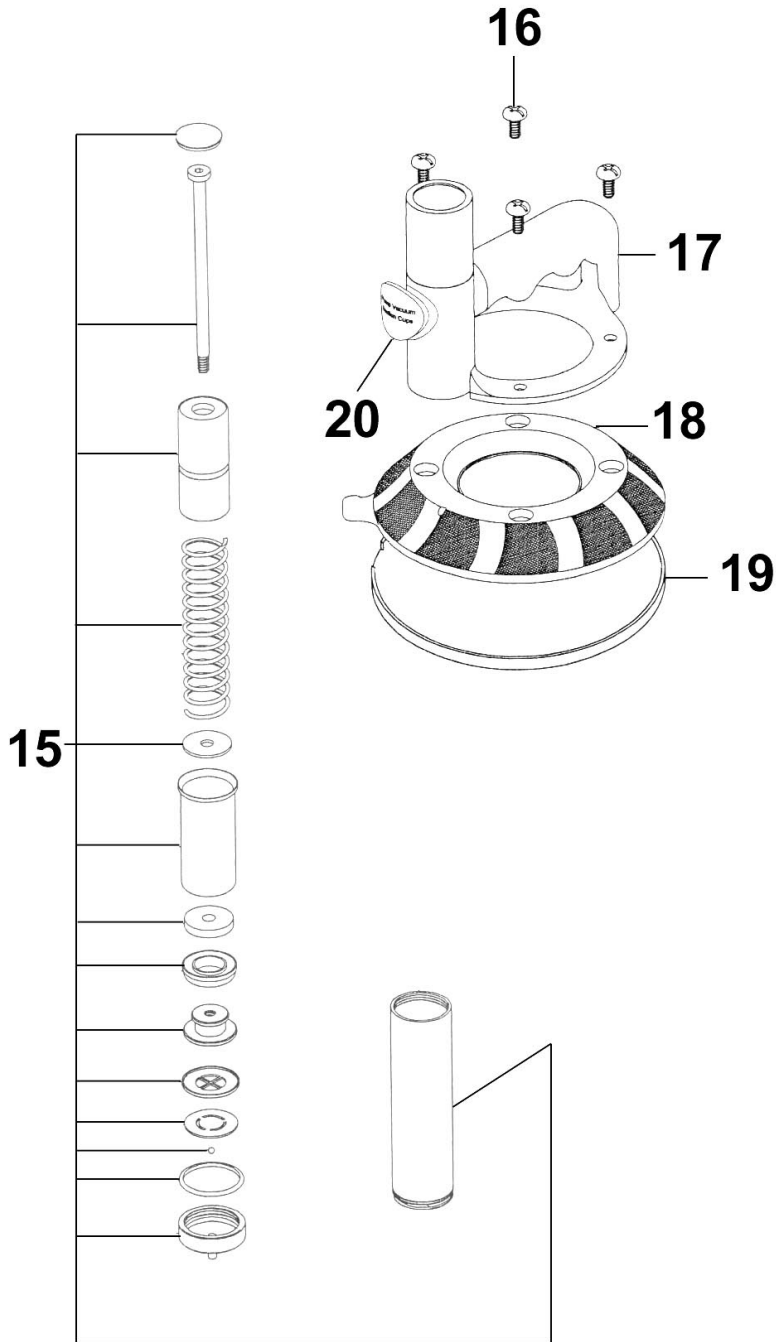




Parts Information:
Vacuum Suction Cup 40kg Curved Surfaces
Model No: AK98942



Item	Part No.	Description
15	AK98942.01-15	PLUNGER ASS'Y
16	AK98942.16	HANDLE SCREW
17	AK98942.17	MAIN HANDLE

Item	Part No.	Description
18	AK98942.18	SUCTION PAD 178mm
19	AK98942.19	SUCTION PAD COVER 178mm
20	AK98942.20	HANDLE CAP

NOTE: It is our policy to continually improve products and as such we reserve the right to alter data, specifications and component parts without prior notice.

IMPORTANT: No liability is accepted for incorrect use of product.

WARRANTY: Guarantee is 12 months from purchase date, proof of which will be required for any claim.

Sealey Group, Kempson Way, Suffolk Business Park, Bury St Edmunds, Suffolk. IP32 7AR



01284 757500



01284 703534



sales@sealey.co.uk



www.sealey.co.uk