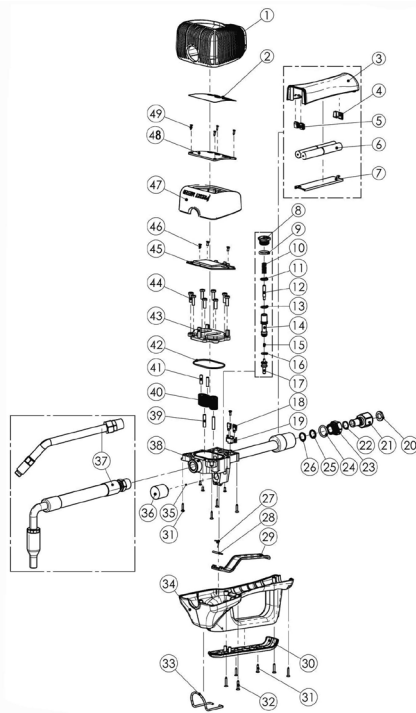


Parts Information: Oil Hose End Meter Digital Automatic Model No: AK4566D



Item	Part No.	Description
1	AK4566D.01	RUBBER COVER
2	AK4566D.02	LENS COVER
3	AK4566D.03	TOP HANDLE
4	AK4566D.04	BATTERY CLIP
5	AK4566D.05	BATTERY CLIP (RECHARGING)
6	AK4566D.06	AA 1.5VOLT BATTER
7	AK4566D.07	BATTERY COVER
8	AK4566D.08	DIRECTIVE COVER
9	AK4566D.09	O-RING
10	AK4566D.10	MAIN SPRING
11	AK4566D.11	O-RING
12	AK4566D.12	SIGNAL POLE
13	AK4566D.13	O-RING
14	AK4566D.14	SLIP POLE
15	AK4566D.15	SUB-SPRING
16	AK4566D.16	O-RING
17	AK4566D.17	PRESS POLE
18	AK4566D.18	MAIN BATTERY CLIP
19	AK4566D.19	BRACKET
20	AK4566D.20	FILTER
21	AK4566D.21	ROTATED LINKER(INC PARTS 22,23,24,25,26
22	AK4566D.21	ROTATED LINKER(INC PARTS 22,23,24,25,26
23	AK4566D.21	ROTATED LINKER(INC PARTS 22,23,24,25,26
24	AK4566D.24	O-RING
25	AK4566D.21	ROTATED LINKER(INC PARTS 22,23,24,25,26

Item	Part No.	Description
26	AK4566D.21	ROTATED LINKER(INC PARTS 22,23,24,25,26
27	AK4566D.27	HANDLE SPRING
28	AK4566D.28	COLUMNED PIN
29	AK4566D.29	TRIGGER
30	AK4566D.30	BOTTOM COVER
31	AK4566D.31	TAPPING SCREW
32	AK4566D.32	TAPPING SCREW
33	AK4566D.33	HOOK
34	AK4566D.34	UNDER-HANDLE
35	SB-3.2	STEEL BALL 3.2mm
36	AK4566D.36	ELECTRICITY MAGNET
37	AK4566D.37	RIGID SPOUT
38	AK4566D.38	MAIN BODY
39	AK4566D.39	AXIS
40	AK4566D.40	ELLIPSE GEAR
41	AK4566D.41	MAGNET POLE
42	AK4566D.42	O-RING
43	AK4566D.43	TOP COVER
44	AK4566D.44	TAPPING SCREW
45	AK4566D.45	PCB BOARD
46	AK4566D.46	TAPPING SCREW
47	AK4566D.47	FRONT COVER
48	AK4566D.48	KEYPAD LENS
49	AK4566D.49	TAPPING SCREW

NOTE: It is our policy to continually improve products and as such we reserve the right to alter data, specifications and component parts without prior notice.

IMPORTANT: No liability is accepted for incorrect use of product.

WARRANTY: Guarantee is 12 months from purchase date, proof of which will be required for any claim.