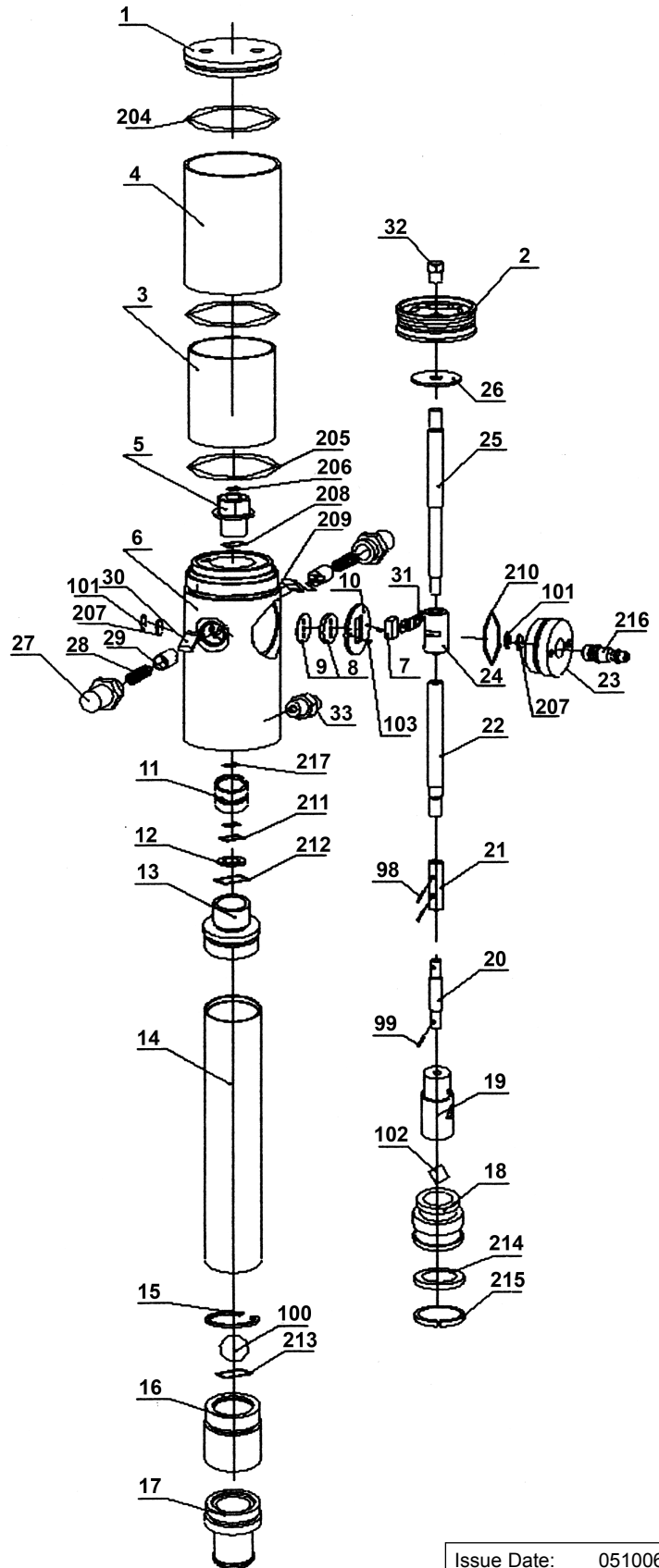
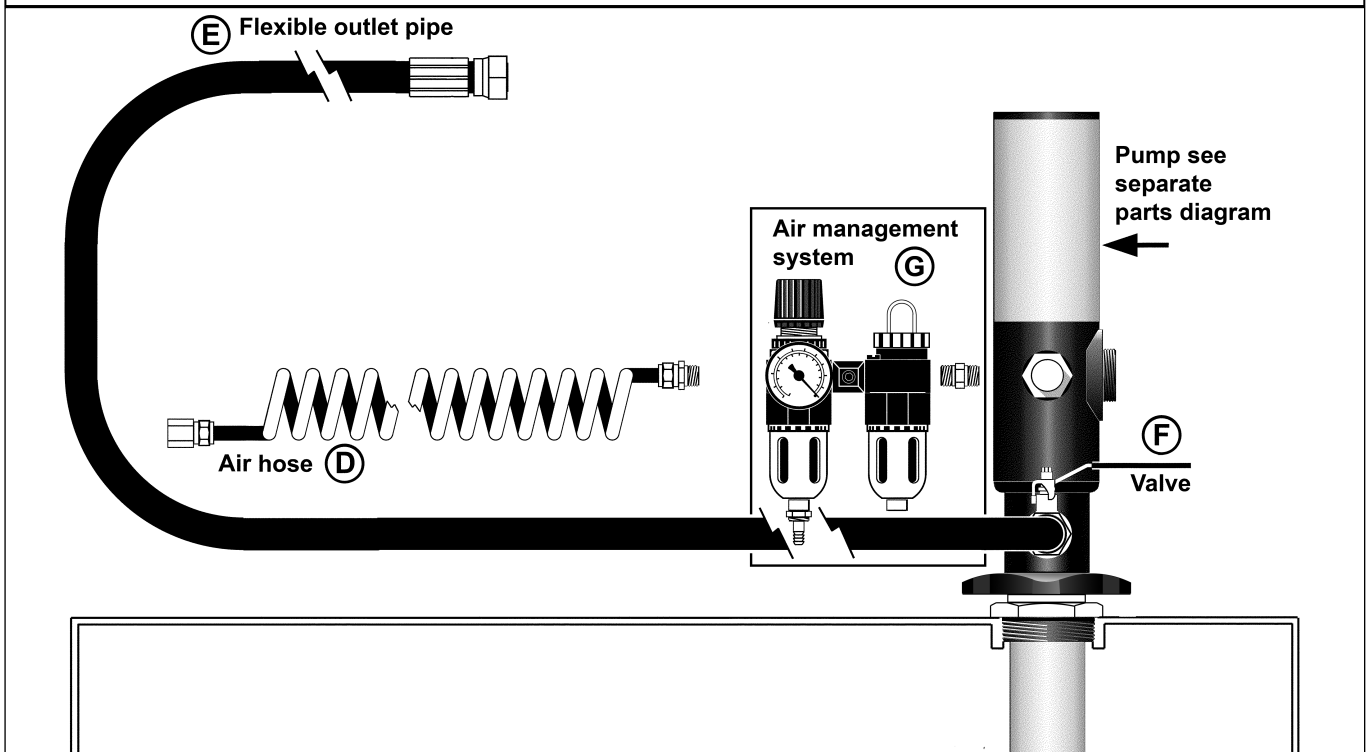


Item	Part No.	Description
1	AK4555D.V2-01	AIR MOTOR COVER
2	AK4555D.V2-02	PISTON
3	AK4555D.V2-03	AIR MOTOR SHELL,INNER
4	AK4555D.V2-04	AIR MOTOR SHELL,OUTER
5	AK4555D.V2-05	BRACKET
6	AK4555D.V2-06	AIR CONTROL CENTRE
7	AK4555D.V2-07	SLIDER
8	AK4555D.V2-08	GASKET
9	AK4555D.V2-09	SOFT GASKET
10	AK4555D.V2-10	SECURING WASHER
11	AK4555D.V2-11	BRACKET
12	AK4555D.V2-12	WASHER
13	AK4555D.V2-13	CONNECTION TUBE
14	AK4555D.V2-14	SUCTION TUBE
15	AK4555D.V2-15	SPRING CIRCLIP
16	AK4555D.V2-16	VALVE SEAT
17	AK4555D.V2-17	FILTER/CONNECTOR
18	AK4555D.V2-18	PISTON
19	AK4555D.V2-19	CONNECTING SHELL
20	AK4555D.V2-20	CONNECTION SHAFT
21	AK4555D.V2-21	CONNECTION SHELL
22	AK4555D.V2-22	MIDDLE SHAFT
23	AK4555D.V2-23	AIR CENTRE COVER
24	AK4555D.V2-24	SLIDER SHELL
25	AK4555D.V2-25	PISTON SHAFT
26	AK4555D.V2-26	WASHER
27	AK4555D.V2-27	SPRING SHELL
28	AK4555D.V2-28	SPRING
29	AK4555D.V2-29	SPRING SEAT
30	AK4555D.V2-30	TRIP SHOE GUIDE
31	AK4555D.V2-31	PRESS PIECE
32	AK4555D.V2-32	NUT
33	AK4555D.V2-33	OUTLET
98	AK4555D.V2-34	PIN
99	AK4555D.V2-35	PIN
100	AK4555D.V2-36	BALL
101	AK4555D.V2-37	SMALL CIRCLIP
102	AK4555D.V2-38	BALL
103	AK4555D.V2-39	SCREW
204	AK4555D.V2-40	O-RING
206	AK4555D.V2-41	O-RING
207	AK4555D.V2-42	SILENCER
208	AK4555D.V2-43	O-RING
209	AK4555D.V2-44	O-RING
210	AK4555D.V2-45	O-RING
212	AK4555D.V2-46	O-RING
213	AK4555D.V2-47	O-RING
214	AK4555D.V2-48	U-SEAL
215	AK4555D.V2-49	GUIDE
217	AK4555D.V2-50	OD RING
205	AK4555D.V2-51	O-RING
211	AK4555D.V2-52	O-RING
216	AK4555D.V2-53	QUICK COUPLING



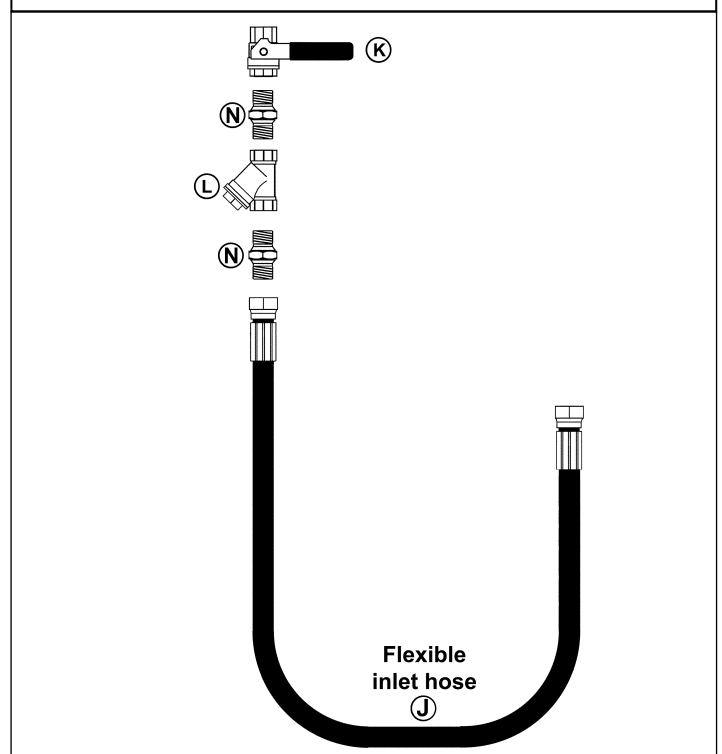
Issue Date: 051006
 Issue No: 1

AK4555D.V2 Pump System / Main components



Item	Part No.	Description
(D)	345.M7550	Air supply hose (yellow) 1/4" bsp
(E)	345.M8651	Outlet pipe (flexible 1/2")
(F)	345.P4204	Ball valve (1/2" bsp)
(G)	345/M5511	Air management system consisting of Air filter & regulator, Air lubricator & fittings.

Fittings associated with AK4556D.V2



Issue Date: 051006
Issue No: 2

Item	Part No.	Description
(J)	345.M8651	Inlet hose (flexible 1/2")
(K)	345.P4204	Ball valve (1/2" bsp)
(L)	345/P4504	"Y" Strainer (1/2" bsp) Not available
(N)	345/P1504/G	Connector (Male 1/2" bsp) Not available