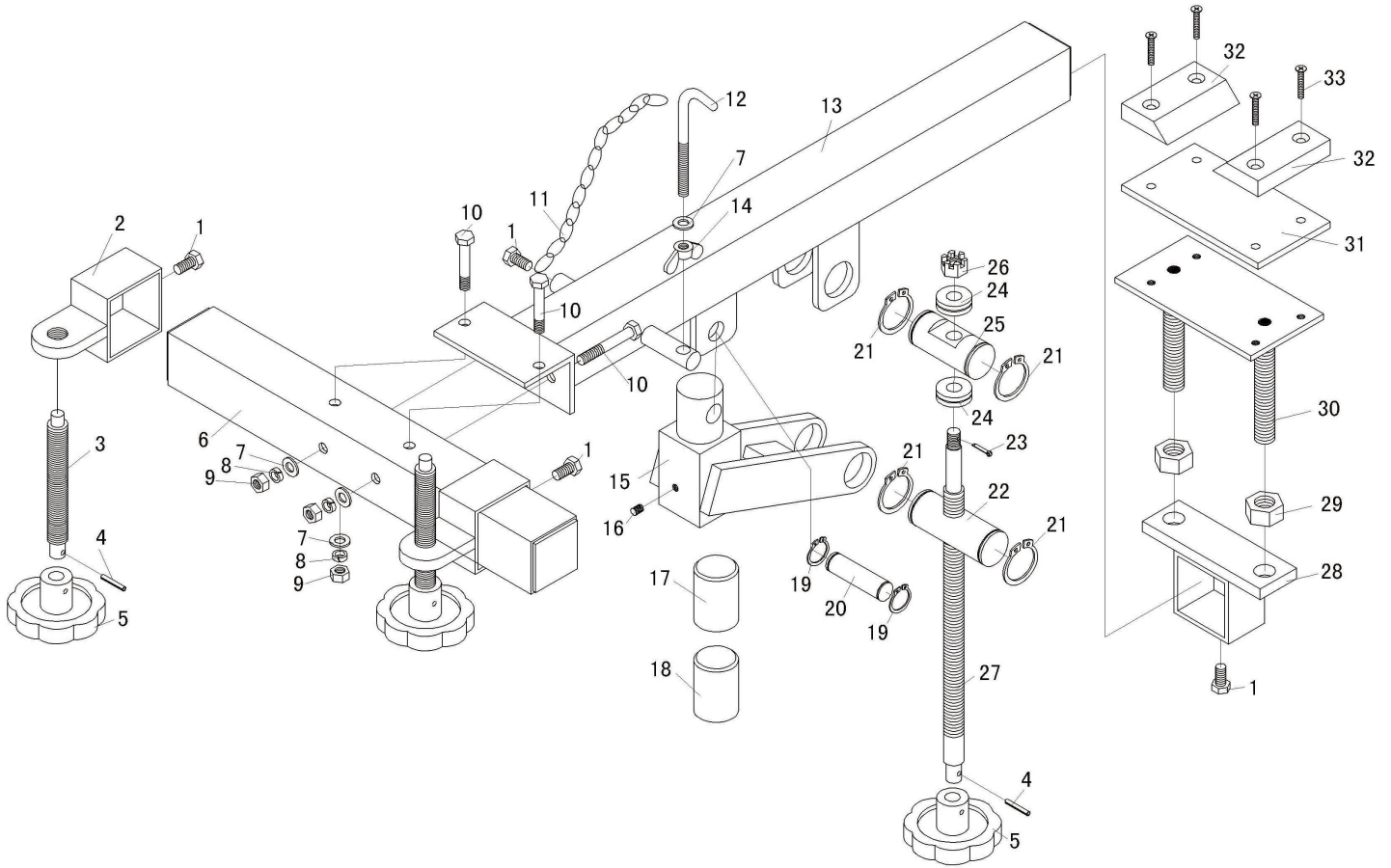


Parts Information: Adjustable Gearbox Support 300kg Capacity Model No: ADT6



Item	Part No.	Description
1	ADT6.01	BOLT
2	ADT6.02	SIDE BEAM SUPPORT
3	ADT6.03	THREADED ROD
4	ADT6.04	SPRING PIN
5	ADT6.05	HANDWHEEL
6	ADT6.06	SIDE BEAM
7	ADT6.07	WASHER
8	ADT6.08	SPRING WASHER
9	ADT6.09	NUT
10	ADT6.10	BOLT
11	ADT6.11	CHAIN
12	ADT6.12	HOOK
13	ADT6.13	MAIN BEAM
14	ADT6.14	FLY NUT
15	ADT6.15	BEAM SUPPORT
16	ADT6.16	SCREW
17	ADT6.17	JOINT SLEEVE

Item	Part No.	Description
18	ADT6.18	JOINT SLEEVE
19	ADT6.19	RETAINING RING
20	ADT6.20	AXLE
21	ADT6.21	RETAINING RING
22	ADT6.22	AXLE FOR THREADED ROD
23	ADT6.23	PIN
24	ADT6.24	BEARING
25	ADT6.25	AXLE
26	ADT6.26	CASTLE NUT
27	ADT6.27	THREADED ROD
28	ADT6.28	MOVABLE STAND
29	ADT6.29	NUT
30	ADT6.30	SCREW PLATE
31	ADT6.31	RUBBER PLATE
32	ADT6.32	ANGLE BLOCK
33	ADT6.33	SCREW

NOTE: It is our policy to continually improve products and as such we reserve the right to alter data, specifications and component parts without prior notice.

IMPORTANT: No liability is accepted for incorrect use of product.

WARRANTY: Guarantee is 12 months from purchase date, proof of which will be required for any claim.