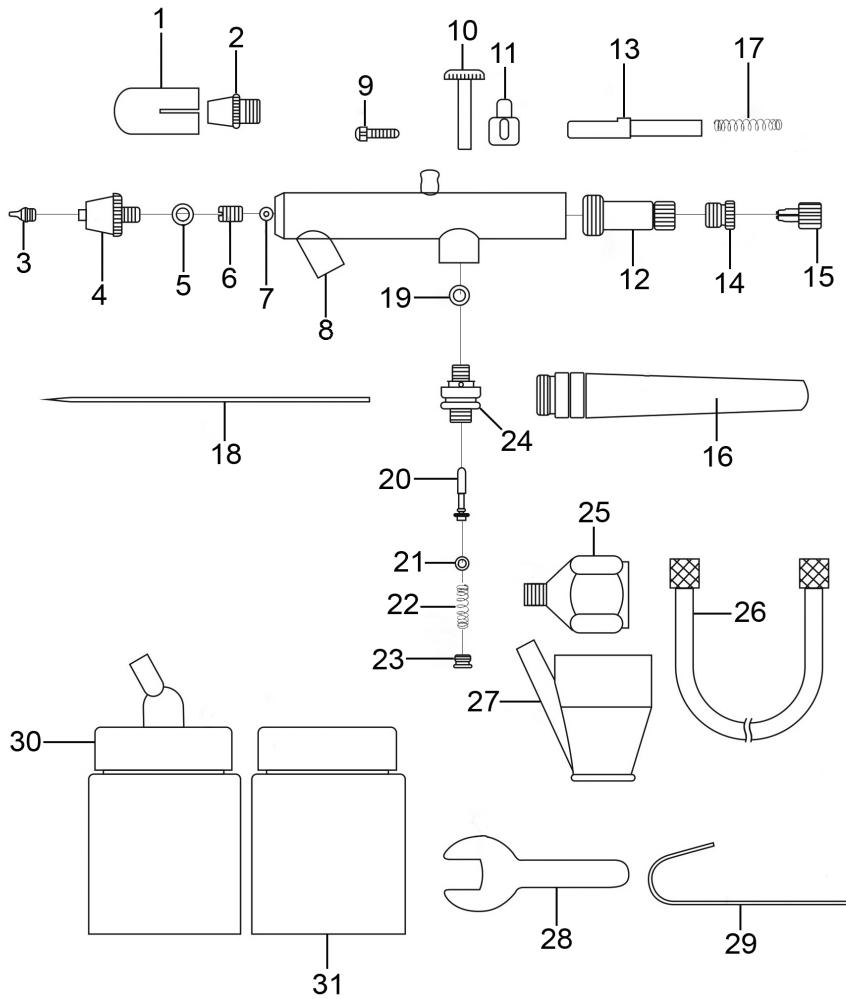




Parts Information:
**Air Brush Kit Professional without
 Propellant**
Model No: AB932.V4



Item	Part No.	Description	Qty
1	AB932.V4-01	Protective Cap	1
2	AB932.V4-02	Air Cap	1
3	AB932.V4-03	Nozzle	1
4	AB932.V4-04	Air Cap Body	1
5	AB932.V4-05	O-Ring 3.83 x 1.47 x 1.18mm	1
6	AB932.V4-06	Packing Nut	1
7	AB932.V4-07	Packing	1
8	AB932.V4-08	Body	1
9	AB932.V4-09	Adjusting Screw	1
10	AB932.V4-10	Adjustment Lever	1
11	AB932.V4-11	Lever Guide	1
12	AB932.V4-12	Needle Adjusting Sleeve	1
13	AB932.V4-13	Needle Guide	1
14	AB932.V4-14	Valve Screw	1
15	AB932.V4-15	Needle Fixing Screw	1
16	AB932.V4-16	Needle Cover	1

Item	Part No.	Description	Qty
17	AB932.V4-17	Spring Ø 4.6mm	1
18	AB932.V4-18	Needle	1
19	AB932.V4-19	O-Ring 8.15 x 6.49 x 0.83mm	1
20	AB932.V4-20	Valve Rod	1
21	AB932.V4-21	O-Ring 3.40 x 1.64 x 0.92mm	1
22	AB932.V4-22	Spring	1
23	AB932.V4-23	Valve Screw	1
24	AB932.V4-24	Valve Body	1
25	AB932.V4-25	Adaptor	1
26	AB932.V4-26	Air Pipe	1
27	AB932.V4-27	Paint Cup	1
28	AB932.V4-28	Spanner	1
29	AB932.V4-29	Metal Hook	1
30	AB932.V4-30	Paint Jar 22CC (c/w Lid & Nozzle)	1
31	AB932.V4-31	Paint Jar 22CC (c/w Lid)	1

NOTE: It is our policy to continually improve products and as such we reserve the right to alter data, specifications and component parts without prior notice. There may be alternative versions of this product, please contact us should you require this information.

IMPORTANT: No liability is accepted for incorrect use of product. Spare parts must be fitted by a competent person

WARRANTY: Guarantee is 12 months from purchase date, proof of which will be required for any claim.

Sealey Group, Kempson Way, Suffolk Business Park, Bury St Edmunds, Suffolk. IP32 7AR



01284 757500



sales@sealey.co.uk



www.sealey.co.uk