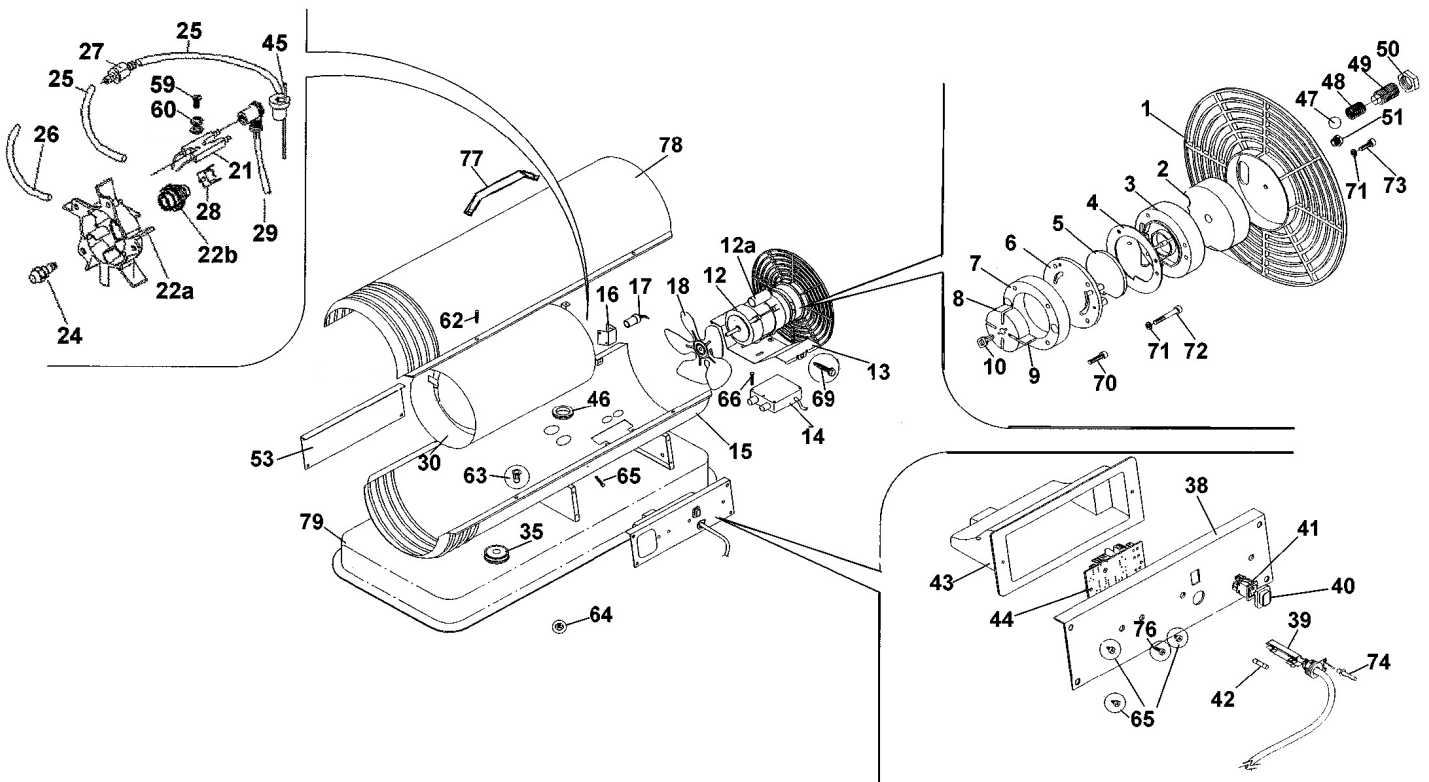




Parts Information:  
Space Warmer® Paraffin/Diesel Heater  
80,000Btu/hr without Wheels  
Model No: AB801.V3



**NOTE:** It is our policy to continually improve products and as such we reserve the right to alter data, specifications and component parts without prior notice.

**IMPORTANT:** No liability is accepted for incorrect use of product.

**WARRANTY:** Guarantee is 12 months from purchase date, proof of which will be required for any claim.

Sealey Group, Kempson Way, Suffolk Business Park, Bury St Edmunds, Suffolk. IP32 7AR



01284 757500



01284 703534



sales@sealey.co.uk



www.sealey.co.uk



Parts Information:  
**Space Warmer® Paraffin/Diesel Heater**  
**80,000Btu/hr without Wheels**  
**Model No: AB801.V3**

Item	Part No.	Description
1	SL20010091	Rear Guard
2	SL20190009	Air Inlet Filter
3	SL20620056	Filter Casing Gry
4	SL20020003	Gasket Compressor Gry
5	SL20190000	Outlet Filter Gry
6	SL20620055	Compressor Cover
7	SL20620060	Stator Ring th.17
8	SL20260018	Rotor th.17
9	SL20260017	Blade th.17
10	SL20010015	Rotor Clip
12	SL20400014	Motor (Internal 230V 50HZ 100W)
12A	SL20490011	Capacitor 4uf 425v 4756v 500v 70x35
13	SL1094005911	Motor Support
14	SL20330010	Transformer
15	SL020911	Lower Body
16	SL20620529	Flame Sensor Support
17	SL20500003	Flame Sensor
18	SL20200022	Fan zn d.190
21	SL20300006	Ignition Elecrodde Gry20/28/40/60
22A	SL20620672	Burner Head
22B	SL20010059	Nozzle Holder Gry 04
24	SL20210062	Nozzle 0.65gph - Delavan 30609-7
25	SL1078001511	Oil Hose l=130mm
26	SL20160017	Air Hose 7mm x 12mm x 400mm
27	SL20190010	Oil Suction Filter
28	SL20360006	Safety Thermostat 16A 250V 265°c
29	SL20390281	HT Cable l500+90Deg+Filter 1koh
30	SLGRY320	Combustion Chamber
35	SL20620034	Tank Cap (d.55mm)
38	SL020N20	Left Side Panel
39	SL20310010	Cable Clamp

Item	Part No.	Description
40	SL20020011	Switch Cap
41	SL20320005	Switch On/Off Dual-Pol Kid10/1
42	SL20350006	Fuse Glass 3.15Amp 250V 6x32
43	SL1001007736	Electrical Panel Cover
44	SL20470013	Flame Control Unit Gry 15/20/28/4
45	SL20020019	Suction Gasket (25mm Diameter)
46	SL1002002100	Rubber Ring
47	SB-5.6	Steel Ball 5.6mm
48	SL20230234	Spring
49	SL20230230	Adjusting Screw M8 x 1
50	SL20230124	5/16 unf Half Nuts
51	SL20120039	Cap
53	SL20621792	Right Side Panel
59	SL1016006000	Screw
60	SL20230143	Washer
62	SL1016005211	Screw
63	SL1019001600	Rivet Nut
64	SL20230124	5/16 unf Half Nuts
65	SL20230012	RD Head S/T Screw M3.8 x 6
66	SL1016005711	Screw
69	SL1016004500	Screw
70	SCB520.S	Socket Head Cap Screw M5x20
71	SWM5.SB	Spring Washer M5 Black (Single)
72	SCB535.S	Socket Head Cap Screw M5x35
73	SCB516.S	Socket Cap Bolt Zinc M5x16
74	SL1019002800	Rivet
76	SL1016001700	Screw
77	SL1001002700	Handle
78	SL020MNG911	Upper Body
79	SL020MN820	Tank

**NOTE:** It is our policy to continually improve products and as such we reserve the right to alter data, specifications and component parts without prior notice.

**IMPORTANT:** No liability is accepted for incorrect use of product.

**WARRANTY:** Guarantee is 12 months from purchase date, proof of which will be required for any claim.

Sealey Group, Kempson Way, Suffolk Business Park, Bury St Edmunds, Suffolk. IP32 7AR



01284 757500



01284 703534



sales@sealey.co.uk



www.sealey.co.uk