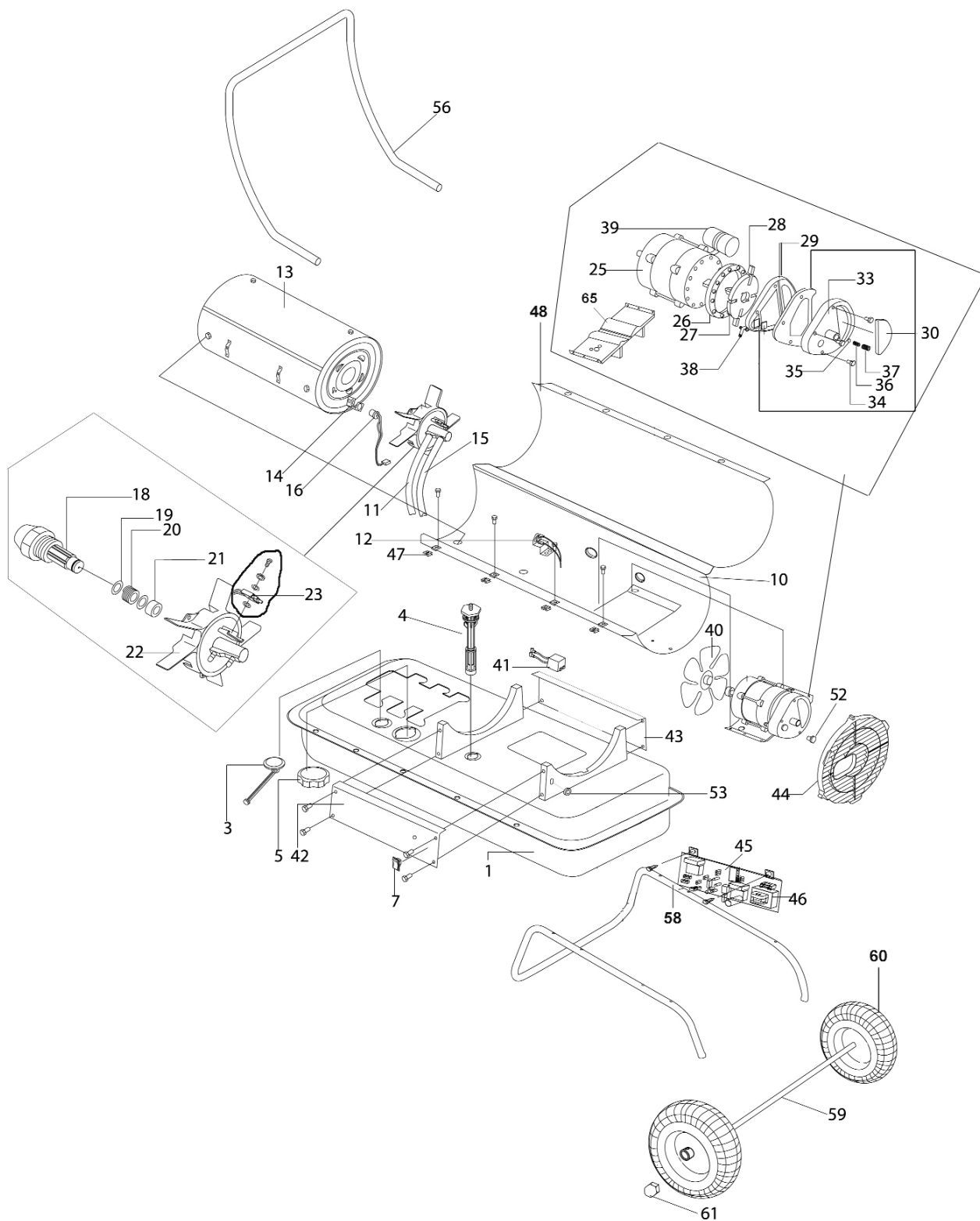




Parts Information:  
**Space Warmer® Paraffin/Kerosene/Diesel  
Heater 70,000Btu/hr with Wheels**  
**Model No: AB70E**



**NOTE:** It is our policy to continually improve products and as such we reserve the right to alter data, specifications and component parts without prior notice.

**IMPORTANT:** No liability is accepted for incorrect use of product.

**WARRANTY:** Guarantee is 12 months from purchase date, proof of which will be required for any claim.

Sealey Group, Kempson Way, Suffolk Business Park, Bury St Edmunds, Suffolk. IP32 7AR



01284 757500



01284 703534



sales@sealey.co.uk



www.sealey.co.uk



Parts Information:  
**Space Warmer® Paraffin/Kerosene/Diesel  
Heater 70,000Btu/hr with Wheels  
Model No: AB70E**

1	P70-002-0100	FUEL TANK ASSEMBLY
3	P70-007-0115	FUEL GAUGE ASSEMBLY
4	P70-003-0100	FUEL FILTER ASS'Y
5	P70-006-0120	FUEL CAP ASS'Y (NEW CAP AND GASKET)33mm
7	P70-038-0110	POWER SWITCH (ROCKER)
10	P70-001-0902	LOWER COVER
11	P70-035-0200	AIR HOSE
12	P70-019-0100	TEMPERATURE LIMIT SWITCH
13	P70-011-0200	COMBUSTION CHAMBER
14	P70-010-0101	FLAME SENSOR BRACKET
15	P70-036-0200	FUEL HOSE
16	P70-016-0100	FLAME SENSOR
18	P70-015-0205	NOZZLE
19	P70-015-0101	NOZZLE SEAL WASHER (LIGHT MATERIAL)
20	P70-015-0102	NOZZLE SEAL SPRING
21	P70-015-0103	NOZZLE SLEEVE
22	P70-014-0101	BURNER HEAD
23	P70-052-0110	SPARK PLUG
25	P70-021-0501	MOTOR 230V/50HZ
26	P70-020-0401	PUMP BODY
27	P70-022-0100	ROTOR KIT 1/2"
28	P70-022-0202	ROTOR BLADE (SET OF 4) 5/8"
29	P70-020-0102	END PUMP COVER
30	P70-054-0100	FILTER KIT
303	P70-054-0100	FILTER KIT
--	P70-054-0101	INTAKE FILTER (NOT SHOWN)

Item	Part No.	Description
--	P70-054-0102	FILTER (NOT SHOWN)
33	P70-020-0103	END FILTER COVER
34	P70-055-0100	PLUG/PUMP ADJUST KIT
35	SB-6.4	STEEL BALL 6.4mm
36	P70-020-0105	SPRING
37	P70-020-0106	ADJUSTING SCREW
38	P70-014-0104	NIPPLE
39	P70-020-0130	CAPACITOR 230V/50HZ
40	P70-024-0200	FAN
41	P70-037-0120	IGNITOR EU
42	P70-008-0201	RIGHT SIDE COVER (AB7081 ONLY)
43	P70-009-0100	LEFT SIDE COVER
44	P70-016-0700	FAN GUARD
45	P70-027-0160	MAIN PCB ASSEMBLY
46	P70-027-0101	FUSE T5L 250V 2x0.5
47	P70-001-0105	CLIP NUT
48	P70-001-0901	UPPER COVER
50	P70-002-0110	END COVER PLUG
53	P70-033-0100	CORD BUSHING
56	P70-042-0105	FRONT HANDLE
58	P70-041-0170	WHEEL SUPPORT FRAME
59	P70-041-0501	WHEEL AXLE FOR AB70E
60	P70-041-0160	WHEEL,PNEUMATIC (155x12x50)
61	SN12.SD	STEEL NUT M12 DOMED (SINGLE)

**NOTE:** It is our policy to continually improve products and as such we reserve the right to alter data, specifications and component parts without prior notice.

**IMPORTANT:** No liability is accepted for incorrect use of product.

**WARRANTY:** Guarantee is 12 months from purchase date, proof of which will be required for any claim.

**Sealey Group**, Kempson Way, Suffolk Business Park, Bury St Edmunds, Suffolk. IP32 7AR



01284 757500



01284 703534



sales@sealey.co.uk



www.sealey.co.uk