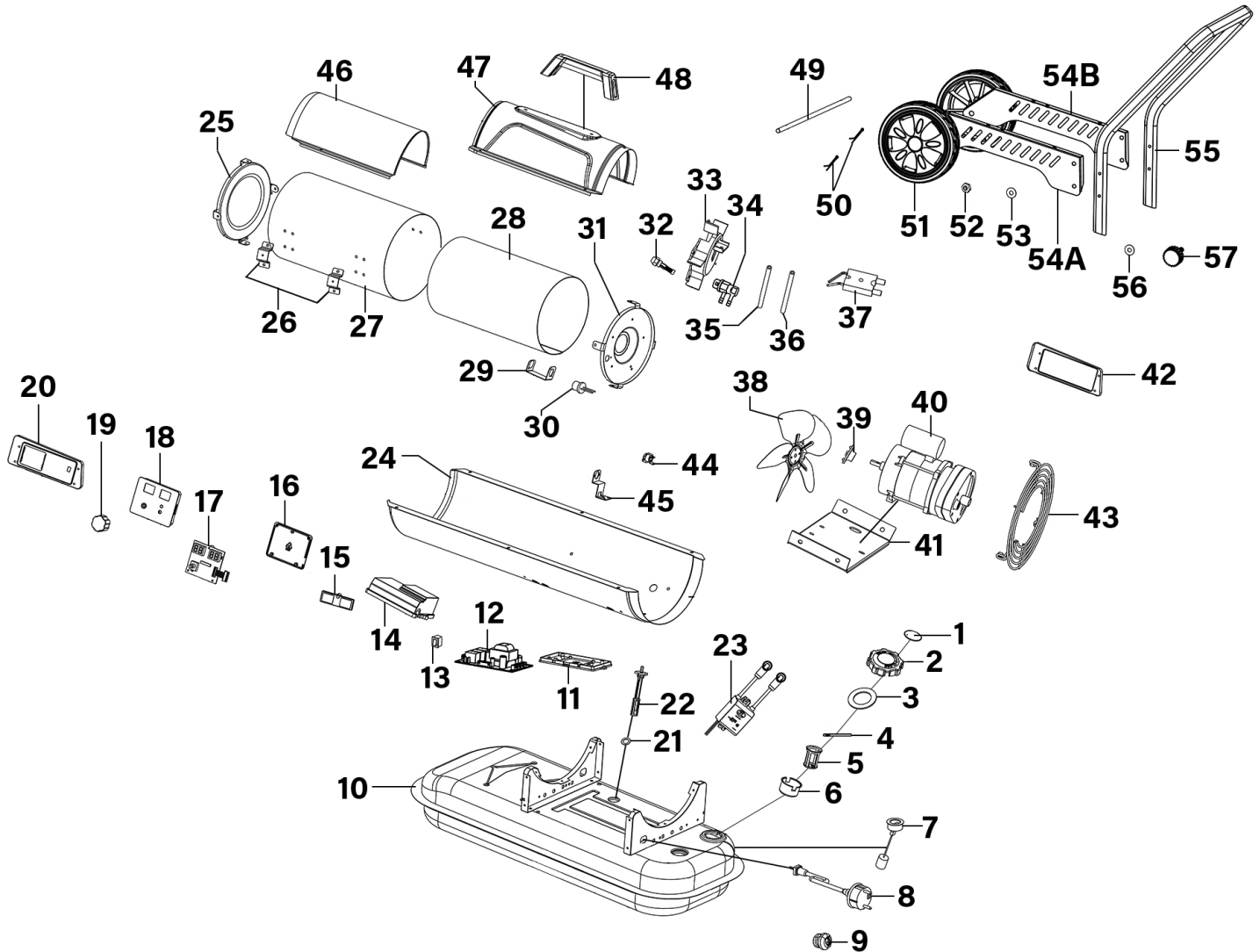


Parts Information:
Space Warmer® Kerosene/Diesel Heater
70,000Btu/hr with Wheels
Model No: AB7081.V3



Item	Part No.	Description	Qty
1	AB-1422027500	Breather Cover	1
2	AB-1422026500	Fuel Tank Cap	1
3	AB-1802014	Fuel Tank Cap Seal	1
4	AB-151700806	Fuel Tank Cap Shaft Ø 3.5 x 49mm	1
5	AB-1401015000	Oil Inlet Filter	1
6	AB-152039402	Oil Inlet Filter Holder	1
7	AB-1616002	Oil Filter Gauge	1
8	AB-160218007	Power Cord	1
9	AB-1615023	Cable Grip	1
10	AB-190904501	Fuel Tank	1
11	AB-1422097500	Lower Cover for Power PCB	1
12	AB-160900503	Power PCB	1
13	AB-1603017	On/Off Switch	1
14	AB-1422096500	Upper Cover for Power PCB	1

Item	Part No.	Description	Qty
15	AB-1417011000	Display Window	1
16	AB-1422095500	Lower Cover for Display PCB	1
17	AB-160903707	Display PCB	1
18	AB-1422094500	Upper Cover for Display PCB	1
19	AB-1403025519	Thermostat Knob	1
20	AB-151418301512	Control Panel	1
21	AB-1802013	Fuel Filter Seal Ring	1
22	AB-1402003500	Fuel Filter Assembly	1
23	AB-160701002	Ignition Transformer	1
24	AB-151016601512	Lower Cover	1
25	AB-1910032	Front Cover Assembly	1
26	AB-152022502	Chamber Shield Bracket	2
27	AB-152400902	Combustion Chamber Shield	1
28	AB-153223906	Combustion Chamber	1

NOTE: It is our policy to continually improve products and as such we reserve the right to alter data, specifications and component parts without prior notice. There may be alternative versions of this product, please contact us should you require this information.

IMPORTANT: No liability is accepted for incorrect use of product. Spare parts must be fitted by a competent person

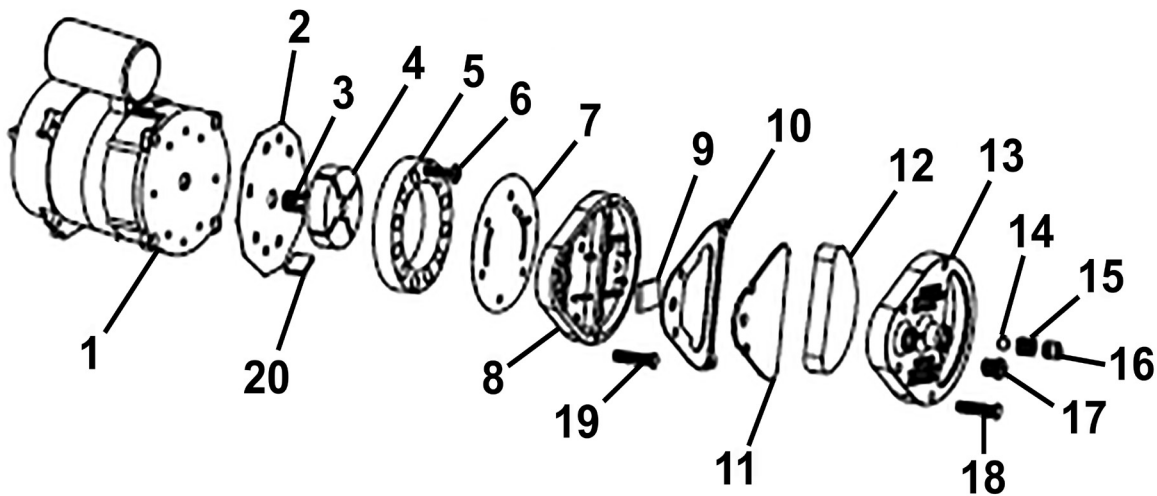
WARRANTY: Guarantee is 12 months from purchase date, proof of which will be required for any claim.

Parts Information:
Space Warmer® Kerosene/Diesel Heater
70,000Btu/hr with Wheels
Model No: AB7081.V3

Item	Part No.	Description	Qty
29	AB-152003601512	Photocell Bracket	1
30	AB-1901209	Photocell Assembly	1
31	AB-150200402	Burner Support Plate	1
32	AB-171501201	Nozzle Assembly 70K	1
33	AB-150200204	Burner Head	1
34	AB-171503201	Nozzle Adapter	1
35	AB-180401001	Air Hose 800mm	1
36	AB-180401001	Fuel Hose 300mm	1
37	AB-1608015	Ignition Electrode	1
38	AB-152805602	Fan	1
39	AB-150203804	Fan Blade Support	1
40	AB-1907015	Motor Assembly	1
41	AB-152028402	Motor Support	1
42	AB-151519801512	Side Panel	1
43	AB-153230501502	Fan Guard	1

Item	Part No.	Description	Qty
44	AB-1605015	Re-Set Thermostat	1
45	AB-152049202	Re-Set Thermostat Bracket	1
46	AB-151016401512	Front Upper Cover	1
47	AB-151016501512	Rear Upper Cover	1
48	AB-1406017500	Handle	1
49	AB-150502211	Wheel Axle Ø 12mm 415mm	1
50	AB-1712001	Split Pin	2
51	AB-1422049505	Wheel (c/w Cover)	2
52	AB-170602611	Domed Nut	2
53	AB-170702011	Washer	2
54A	AB-152135601512	Wheel Frame Support A	1
54B	AB-152135501512	Wheel Frame Support B	1
55	AB-150421607512	Handle	1
56	AB-170702711	Washer	4
57	AB-1420006500	Adjustment Screw M6 x 40mm	4

Breakdown of Motor



Item	Part No.	Description	Qty
1	AB-1907015-01	Motor	1
2	AB-1907015-02	Stainless Steel Plate 'A'	1
3	AB-1907015-03	Coupling	1
4	AB-1907015-04	Rotor (15mm vane)	1
5	AB-1907015-05	Stator Ring	1
6	AB-1907015-06	Screw	4
7	AB-1907015-07	Stainless Steel Plate 'B'	1
8	AB-1907015-08	Pump Cover	1
9	AB-1907015-09	Lint Filter	1
10	AB-1907015-10	Rubber Seal	1

Item	Part No.	Description	Qty
11	AB-1907015-11	Air Outlet Filter	1
12	AB-1907015-12	Inlet Filter	1
13	AB-1907015-13	Filter Cover	1
14	AB-1907015-14	Steel Ball	1
15	AB-1907015-15	Spring	1
16	AB-1907015-16	Pressure Adjustment Screw	1
17	AB-1907015-17	Plug Screw	1
18	AB-1907015-18	Screw	4
19	AB-1907015-19	Screw	6
20	AB-1907015-20	Rotor blade (15mm)	4

NOTE: It is our policy to continually improve products and as such we reserve the right to alter data, specifications and component parts without prior notice. There may be alternative versions of this product, please contact us should you require this information.

IMPORTANT: No liability is accepted for incorrect use of product. Spare parts must be fitted by a competent person

WARRANTY: Guarantee is 12 months from purchase date, proof of which will be required for any claim.